

AVAILABLE
THROUGH
DISTRIBUTION



BOURNS®

Features

- Surface Mount / Single-Turn / Cermet Industrial / Sealed
- Compatible with surface mount manufacturing processes
- Standoffs facilitate boardwashing and mechanical stability

- Plastic housing for RF applications
- Low profile
- Patent #5043695 assembly for seal integrity

3324 - 4mm Square Trimming Potentiometer

Electrical Characteristics

Standard Resistance Range
.....10 ohms to 2 megohms
(see standard resistance table)
Resistance Tolerance±20% std.
(tighter tolerance available)
End Resistance
.....1% or 3 ohms max.
(whichever is greater)
Contact Resistance Variation
.....3% or 3 ohms max.
(whichever is greater)
Resolution.....Essentially Infinite
Insulation Resistance500 vdc.
100 megohms min.
Dielectric Strength
Sea Level.....500 vac (1 minute)
Adjustment Angle220° nom.

Environmental Characteristics

Soldering Heat
.....260°C, 10 seconds, TRS ±1%
Power Rating (200 volts max.)
70°C.....0.25 watt
125°C.....0 watt
Operating Temperature Range
.....-55°C to +125°C
Temperature Coefficient
<100 Ohms±150ppm/°C
>100 Ohms±100ppm/°C
Humidity80-98% RH,
10 cycles, 240 hours
TRS ±3%; IR 10 megohms
Vibration20G TRS ±1%; VRS ±1%
Shock100G TRS ±1%; VRS ±1%
Load Life
.....(@ 70°C Rated Power 1000 Hours)
TRS ±3%
Rotational Cycling100 cycles
TRS ±3%
Thermal Shock5 cycles
TRS ±2%; VRS ±1%

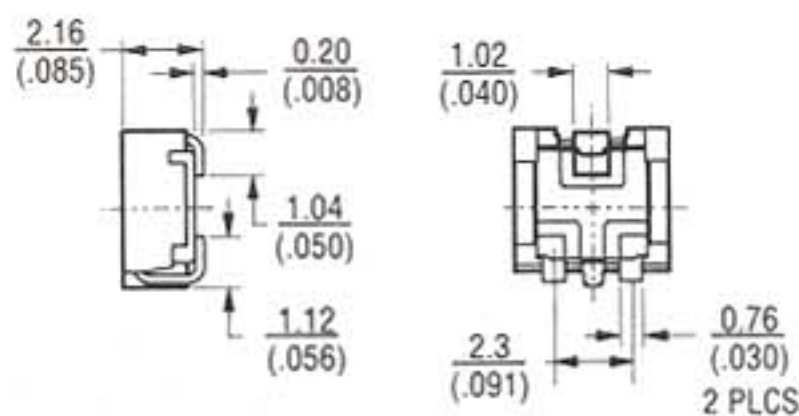
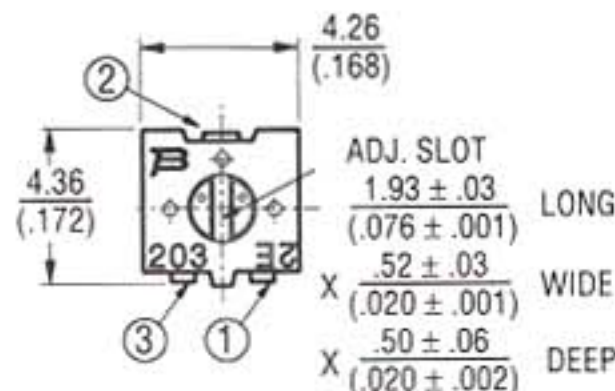
Physical Characteristics

Mechanical Angle250° nom.
Torque50g-cm typical
Stop Strength200g-cm typical
WeightApproximately 0.01 oz.
MarkingManufacturer's code,
resistance code and date code
WiperPositioned at 50% nominal
FlammabilityU.L. 94V-0
Adjustment ToolH-91

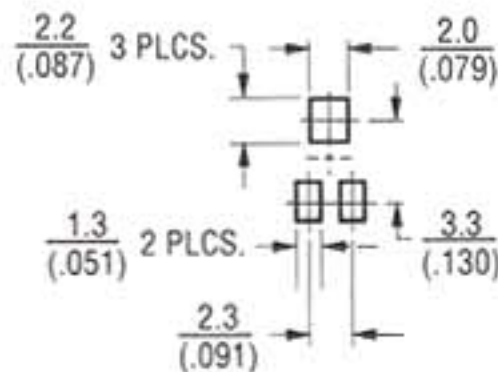
How To Order

Model **3324 J - 1 - 502 E**
Style _____
Standard or Modified Product Indicator _____
-1 = Standard Product
Resistance Code _____
Embossed Tape _____
1000 pcs./7" Reel (Standard)

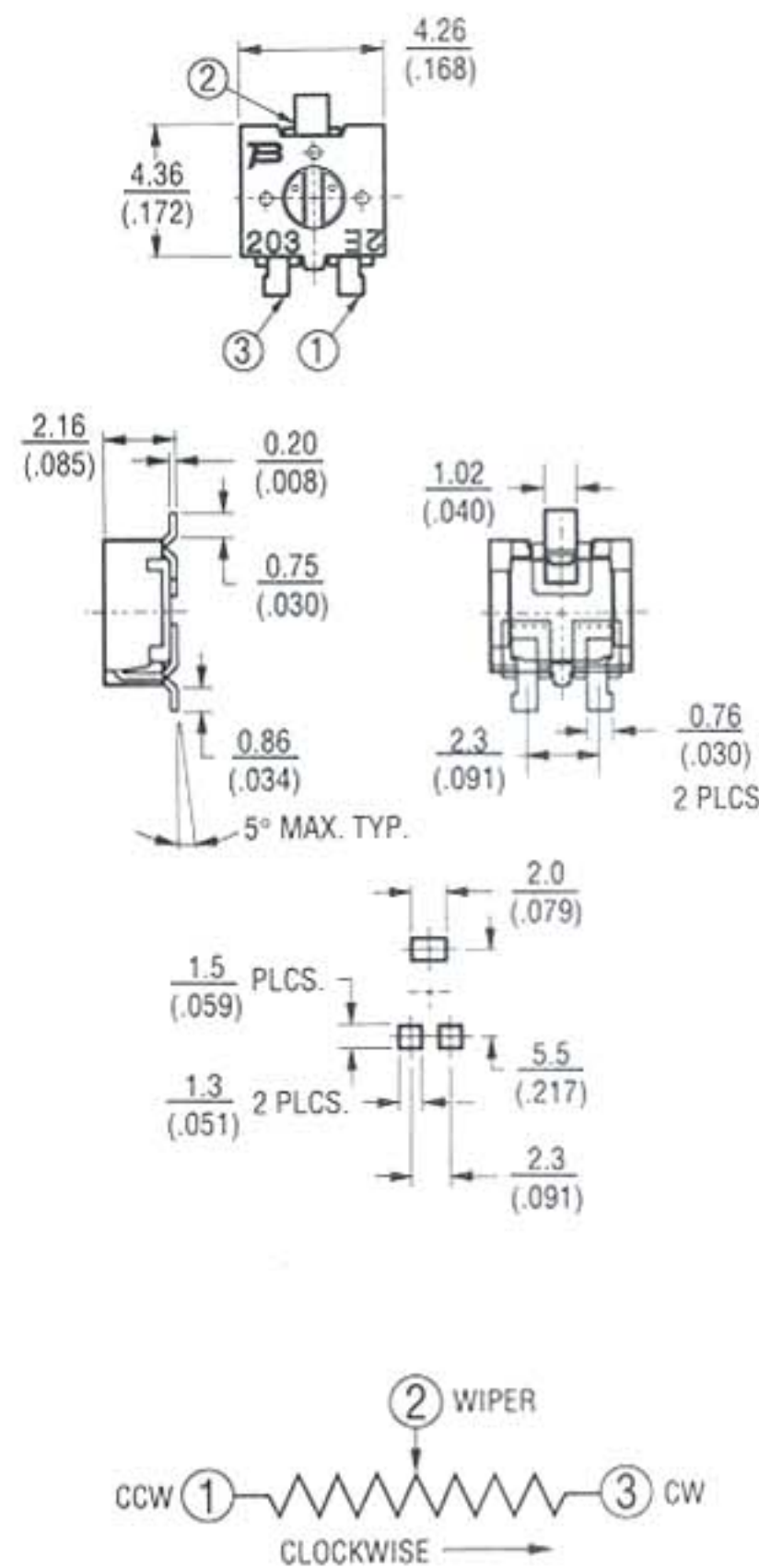
3324J Common Dimensions



RECOMMENDED LAND PATTERN



3324G



TOLERANCES: ± 0.25 (.010) EXCEPT WHERE NOTED

DIMENSIONS ARE: $\frac{\text{METRIC}}{\text{(INCHES)}}$

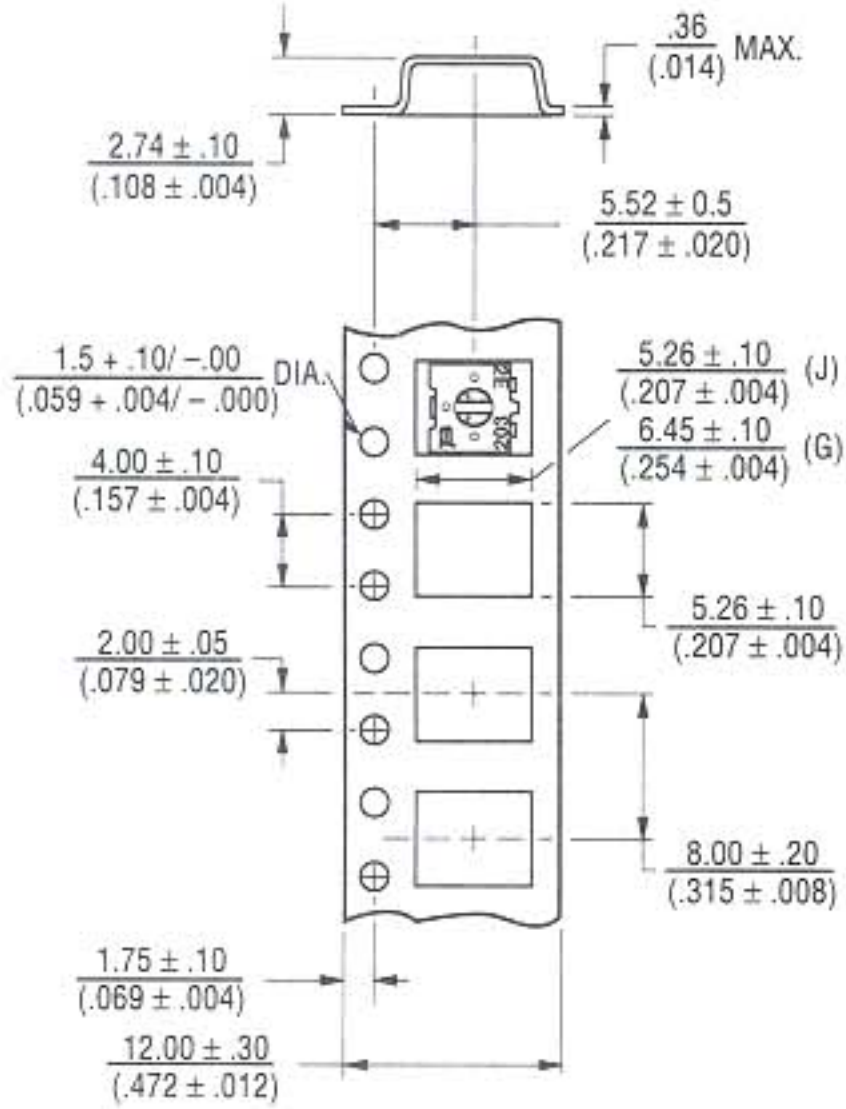
OBSOLETE 1998

3324 - 4mm Square Trimming Potentiometer

BOURNS®

Packaging Specifications

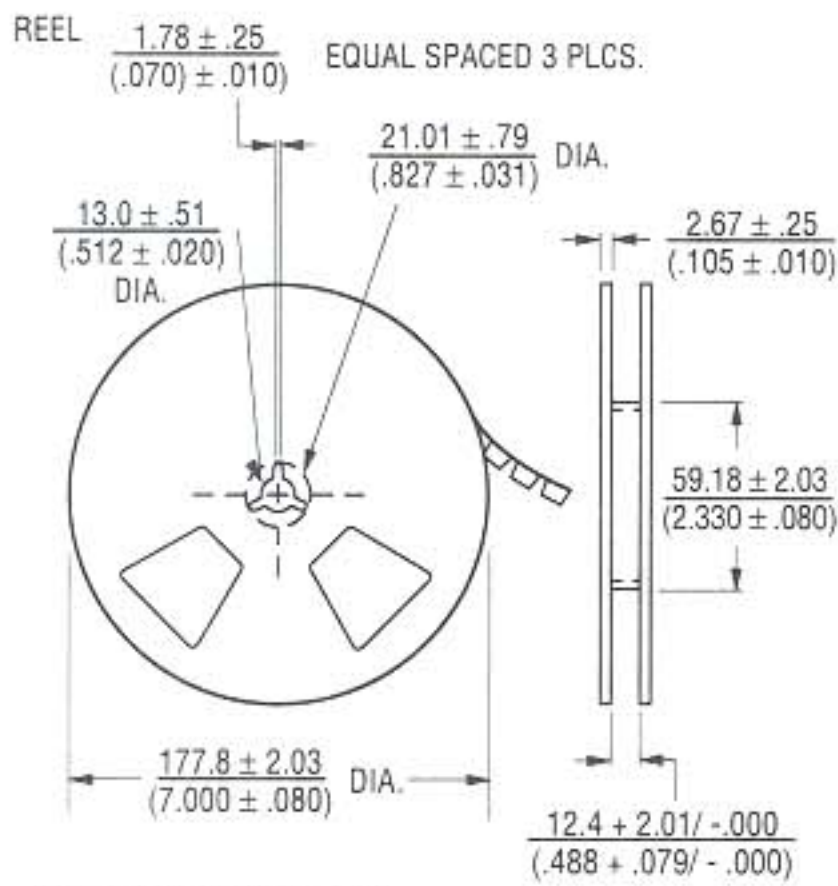
TAPE



Standard Resistance Table

Resistance (Ohms)	Part Marking Code	Resistance Code
10	A1	100
20	21	200
50	51	500
100	A2	101
200	22	201
500	52	501
1,000	A3	102
2,000	23	202
5,000	53	502
10,000	A4	103
20,000	24	203
50,000	54	503
100,000	A5	104
200,000	25	204
500,000	55	504
1,000,000	A6	105
2,000,000	26	205

Popular values listed in boldface. Special resistances available.



Meets EIA specification 481.

OBSOLETE 1998

TOLERANCES: ± 0.25 (.010) EXCEPT WHERE NOTED

DIMENSIONS ARE: METRIC
(INCHES)