

## QUAD SCHOTTKY DATA LINE BUS TERMINATOR

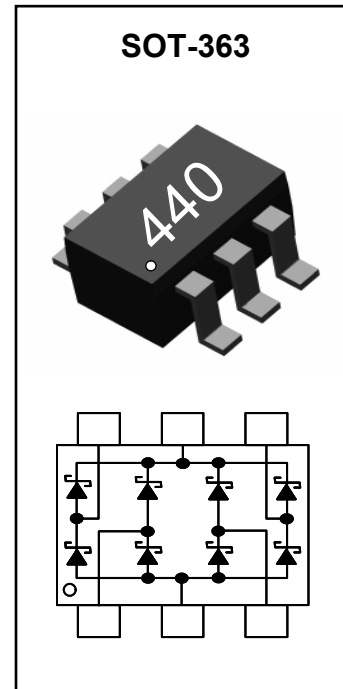
This highly integrated device is designed as rail to rail overvoltage protection clamp for up to four high frequency data lines. It is ideal in portable applications where small form factors are required.

### FEATURES

- Low Forward Voltage Drop for Improved Voltage Protection
- Very Fast Switching
- Ultra Small SOT-363 Package Utilizing Minimal Board Space
- Lead Free Plating, 100% Matte Tin Finish, RoHS Compliant

### APPLICATIONS

- PDAs
- Portable Computers



### MAXIMUM RATINGS $T_A = 25^\circ\text{C}$ , unless otherwise noted

Rating	Symbol	Value	Units
Marking Code		440	
Reverse Voltage	$V_R$	30	V
Continuous Forward Current	$I_F$	200	mA
Non-Repetitive Surge Current, $t=1\text{s}$	$I_{FSM}$	600	mA
Power Dissipation (Note 1)	$P_D$	200	mW
Operating Junction Temperature Range	$T_J$	-55 to +125	$^\circ\text{C}$
Storage Temperature Range	$T_{STG}$	-65 to +125	$^\circ\text{C}$

Note 1: Device mounted on FR-4 board 1.0 inch x 0.85 inch x 0.062 inch, with minimum pad layout

### THERMAL CHARACTERISTICS

Characteristic	Symbol	Value	Units
Thermal Resistance, Junction to Ambient	$R_{thja}$	625	$^\circ\text{C/W}$

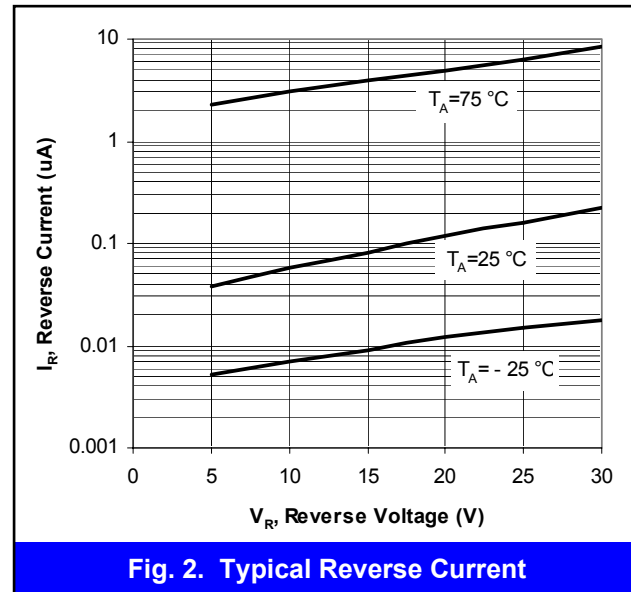
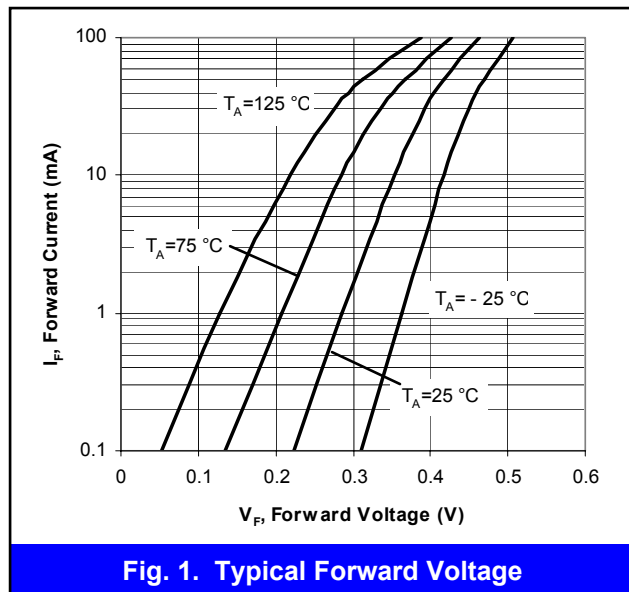
## ELECTRICAL CHARACTERISTICS (Each Diode)

$T_J = 25^\circ\text{C}$ , unless otherwise noted

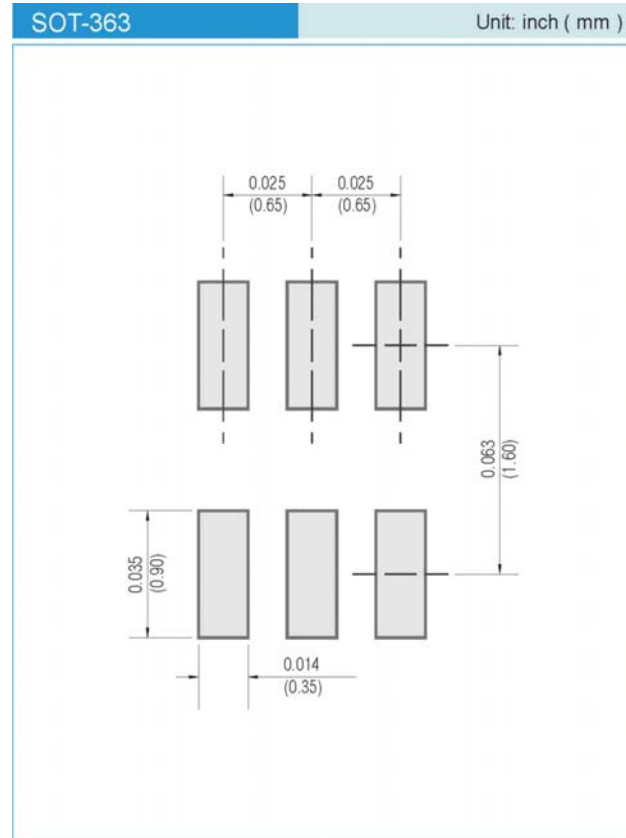
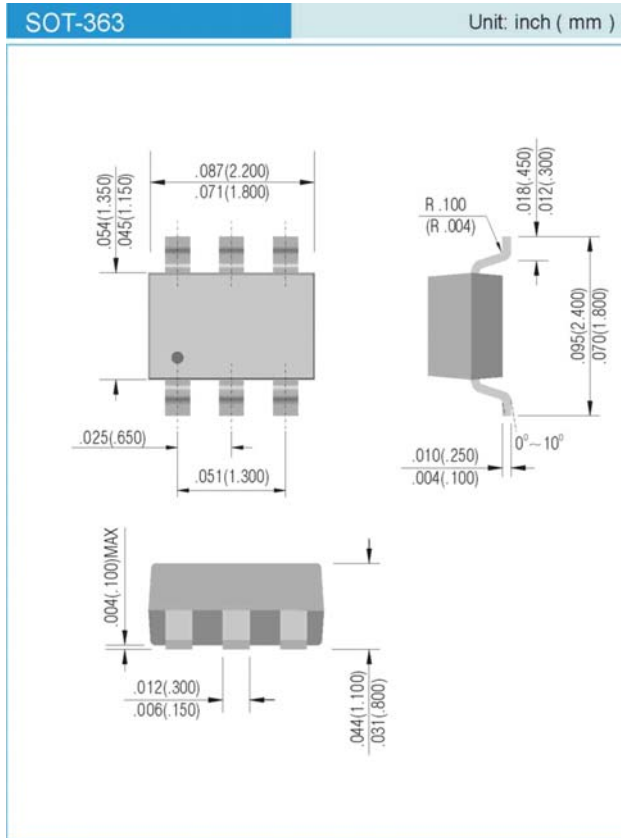
Characteristic	Symbol	Min	Typ	Max	Units
Reverse Breakdown Voltage (Note 2)	$V_{BR}$	30	-	-	V
Forward Voltage (Note 2)	$I_R = 100\mu\text{A}$	-	0.225	0.280	V
	$I_F = 0.1\text{mA}$	-	0.280	0.350	
	$I_F = 10\text{mA}$	-	0.350	0.450	
	$I_F = 30\text{mA}$	-	0.390	0.550	
	$I_F = 100\text{mA}$	-	0.460	1.0	
Reverse Leakage Current (Note 2)	$I_R$	-	-	2.0	$\mu\text{A}$
Total Capacitance $V_R = 0\text{V}$ , $f = 1.0\text{ MHz}$	Data Line to Ground	-	19	-	pF
	Between Data Lines	-	12	-	
Reverse Recovery Time	$t_{rr}$	-	-	5.0	ns

Note 2: Short duration test pulse to minimize self heating

## ELECTRICAL CHARACTERISTIC CURVES (Each Diode)



## PACKAGE LAYOUT AND SUGGESTED PAD DIMENSIONS



## ORDERING INFORMATION

PJ4L40 T/R7 - 7 inch reel, 3K units per reel

PJ4L40 T/R13 - 13 inch reel, 10K units per reel

## Copyright PanJit International, Inc 2005

The information presented in this document is believed to be accurate and reliable. The specifications and information herein are subject to change without notice. Pan Jit makes no warranty, representation or guarantee regarding the suitability of its products for any particular purpose. Pan Jit products are not authorized for use in life support devices or systems. Pan Jit does not convey any license under its patent rights or rights of others.