

RB110C

Diode, Schottky barrier, surface mount

These mold-type diodes are suitable for high density surface mounting on printed circuit boards. Because of their small forward resistance and short reverse recovery time, they are designed for use in dc-dc converters.

Features

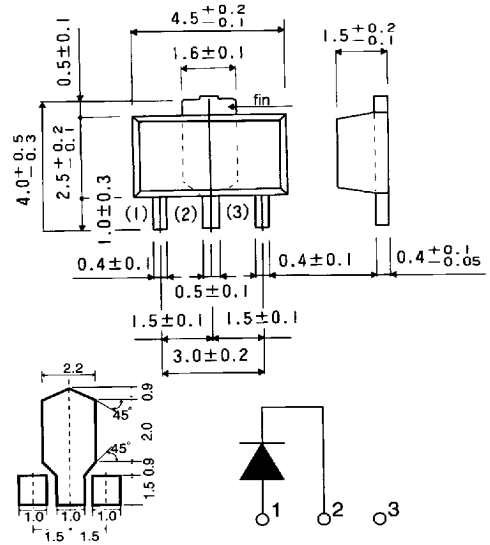
- available in MPD package
- part marking, S1A
- very low forward voltage

Applications

- high frequency rectifying
- power supply switching

Note: Care must be taken when installing and in operation to protect these diodes from static electricity.

Dimensions (Units : mm)



Absolute maximum ratings ($T_a = 25^\circ\text{C}$)

Parameter	Symbol	Limits	Unit	Conditions
Peak reverse voltage	V_{RM}	40	V	
Mean rectifying current	I_O	1.0	A	When mounted on a printed circuit board
Peak forward surge current	I_{FSM}	5	A	At 60 Hz for 1 cycle
Junction temperature	T_j	125	$^\circ\text{C}$	
Storage temperature	T_{stg}	-40 ~ +125	$^\circ\text{C}$	

Electrical characteristics (unless otherwise noted, $T_a = 25^\circ\text{C}$)

Parameter	Symbol	Min	Typical	Max	Unit	Conditions
Forward voltage	V_F		0.50	0.60	V	$I_F = 1.0 \text{ A}$
Reverse current	I_R		1.2	80	μA	$V_R = 25 \text{ V}$

Electrical characteristic curves

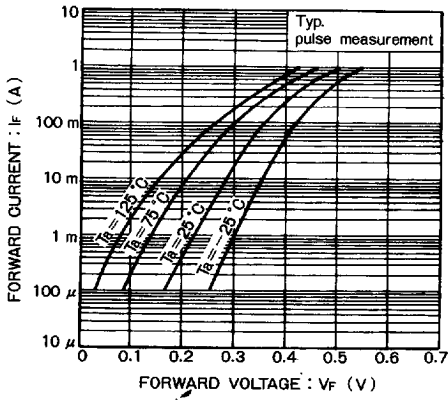


Figure 1

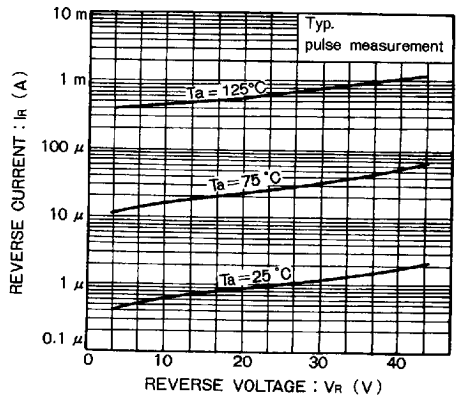


Figure 2

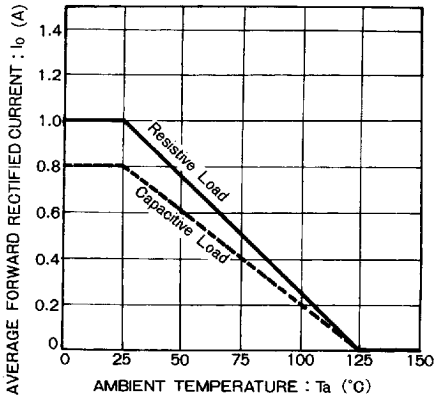


Figure 3