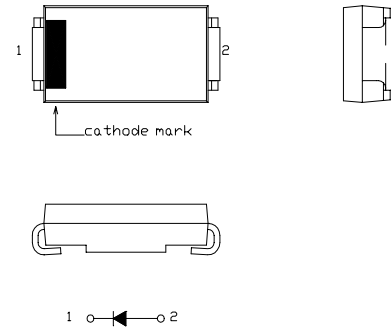


SBD Type : NSQ03A06

FEATURES

- * **FLAT-PAK** Surface Mounting Device
- * Low Forward Voltage Drop
- * Low Power Loss, High Efficiency
- * High Surge Capability
- * 30 Volts through 60Volts Types Available
- * Packaged in 16mm Tape and Reel
- * Not Rolling During Assembly

OUTLINE DRAWING



Maximum Ratings

Approx Net Weight: 0.16g

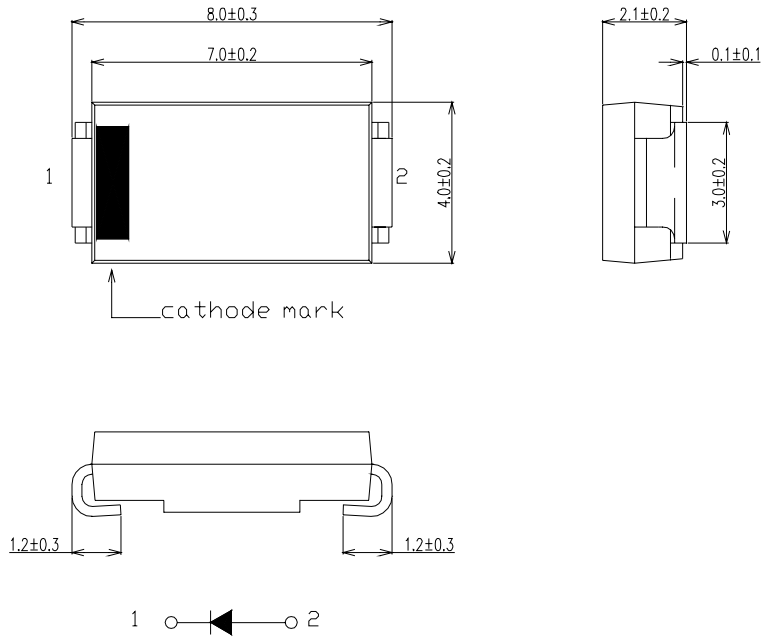
Rating	Symbol	NSQ03A06		Unit
Repetitive Peak Reverse Voltage	V_{RRM}	60		V
Average Rectified Output Current	I_o	1.36	$T_a=25^{\circ}C$ *1	50Hz Half Sine Wave Resistive Load
		3.0	$T_l=96^{\circ}C$	
RMS Forward Current	$I_{F(RMS)}$	4.71		A
Surge Forward Current	I_{FSM}	50	50Hz Half Sine Wave, 1cycle Non-repetitive	A
Operating Junction Temperature Range	T_{jw}	-40 to +150		$^{\circ}C$
Storage Temperature Range	T_{stg}	-40 to +150		$^{\circ}C$

Electrical • Thermal Characteristics

Characteristics		Symbol	Conditions	Min.	Typ.	Max.	Unit
Peak Reverse Current		I_{RM}	$T_j= 25^{\circ}C, V_{RM}= V_{RRM}$	-	-	3	mA
Peak Forward Voltage		V_{FM}	$T_j= 25^{\circ}C, I_{FM}= 3.0A$	-	-	0.58	V
Thermal Resistance	Junction to Ambient	$R_{th(j-a)}$	Alumina Substrate Mounted *1	-	-	89	$^{\circ}C/W$
	Junction to Lead	$R_{th(j-l)}$	-	-	-	13	

*1 Alumina Substrate Mounted (Soldering Lands=2x3.5mm, Both Sides)
(T_l : Lead Temperature)

NSQ03A06 OUTLINE DRAWING (Dimensions in mm)



SOLDERING PAD

