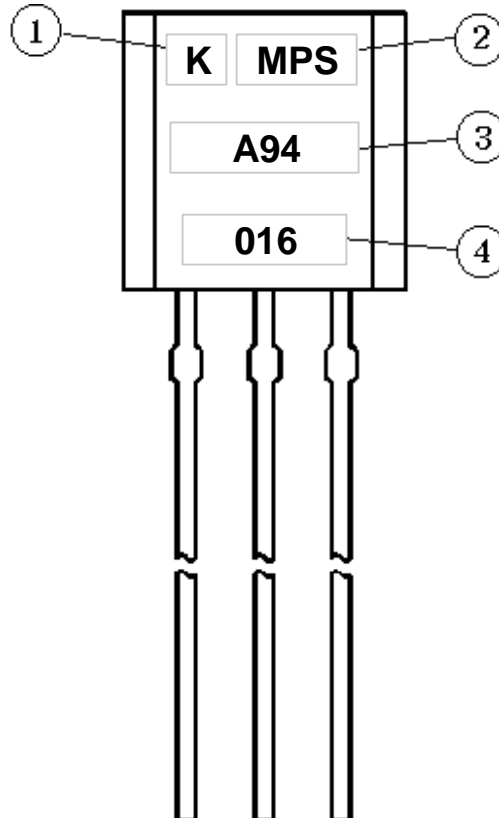


1. Marking method

Laser Marking

2. Marking



No.	Item	Marking	Description		
1	KEC	K	KEC CORP.		
2	Device Name	MPS	Series Name		
3		A94	Device Name		
4	Lot No.	016	8	Year	0 ~ 9 : 2000~2009
			01	Week	16 : 16th Week