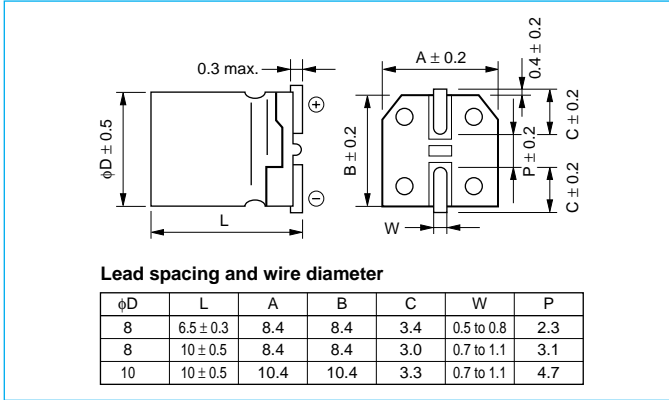


RVJ Vertical Chip Electrolytic Capacitors

Series RVJ Chip Aluminum Electrolytic Capacitors.

- For surface mount 105°C, large capacitance type.
- Carrier taping supplied.

Outline Drawing



Unit: mm

Photo



Chip Type

RVJ

Specifications

No.	Item	Performance																										
1	Temperature range (°C)	-55 to +105°C																										
2	Leakage current (μA)	Less than 0.01 CV or 3 whichever is larger (after two minutes) C: Capacitance (μF), V: Voltage (V) (20°C)																										
3	Capacitance tolerance (%)	±20 (20°C, 120 Hz)																										
4	Tangent of loss angle (tan δ)	<table border="1"> <thead> <tr> <th>Rated voltage (V)</th> <th>6.3</th> <th>10</th> <th>16</th> <th>25</th> <th>35</th> <th>50</th> <th>63</th> <th>100</th> </tr> </thead> <tbody> <tr> <td>tan δ</td> <td>0.30</td> <td>0.26</td> <td>0.22</td> <td>0.16</td> <td>0.13</td> <td>0.12</td> <td>0.11</td> <td>0.10</td> </tr> </tbody> </table> <p>(20°C, 120 Hz)</p>	Rated voltage (V)	6.3	10	16	25	35	50	63	100	tan δ	0.30	0.26	0.22	0.16	0.13	0.12	0.11	0.10								
Rated voltage (V)	6.3	10	16	25	35	50	63	100																				
tan δ	0.30	0.26	0.22	0.16	0.13	0.12	0.11	0.10																				
5	Stability at low temperature	<table border="1"> <thead> <tr> <th>Rated voltage (V)</th> <th>6.3</th> <th>10</th> <th>16</th> <th>25</th> <th>35</th> <th>50</th> <th>63</th> <th>100</th> </tr> </thead> <tbody> <tr> <td rowspan="2">Impedance ratio</td> <td>Z-25°C/Z+20°C</td> <td>4</td> <td>3</td> <td>2</td> <td>2</td> <td>2</td> <td>2</td> <td>2</td> </tr> <tr> <td>Z-40°C/Z+20°C</td> <td>8</td> <td>5</td> <td>4</td> <td>3</td> <td>3</td> <td>3</td> <td>3</td> </tr> </tbody> </table> <p>(120 Hz)</p>	Rated voltage (V)	6.3	10	16	25	35	50	63	100	Impedance ratio	Z-25°C/Z+20°C	4	3	2	2	2	2	2	Z-40°C/Z+20°C	8	5	4	3	3	3	3
Rated voltage (V)	6.3	10	16	25	35	50	63	100																				
Impedance ratio	Z-25°C/Z+20°C	4	3	2	2	2	2	2																				
	Z-40°C/Z+20°C	8	5	4	3	3	3	3																				
6	Endurance (105°C) (Applied ripple current)	<table border="1"> <tbody> <tr> <td>Test time</td> <td>2000 hrs</td> </tr> <tr> <td>Leakage current</td> <td>Initial specified value or less</td> </tr> <tr> <td>Change in capacitance</td> <td>Within ±20% of initial value</td> </tr> <tr> <td>tan δ</td> <td>200% or less of initial specified value</td> </tr> </tbody> </table>	Test time	2000 hrs	Leakage current	Initial specified value or less	Change in capacitance	Within ±20% of initial value	tan δ	200% or less of initial specified value																		
Test time	2000 hrs																											
Leakage current	Initial specified value or less																											
Change in capacitance	Within ±20% of initial value																											
tan δ	200% or less of initial specified value																											
7	Max. storage temp. (105°C)	Test time 1000 hrs. Others have same as endurance. Voltage application treatment.																										
8	Applicable Standards	JIS C 5101-1, 5101-18 1998 (IEC 60384-1 1992, 60384-18 1993)																										

Coefficients of Frequency for Ripple Current

Frequency (Hz) \ Rated Voltage (V)	50 • 60	120	1 k	10 k • 100 k
6.3 to 16	0.80	1	1.15	1.25
25 to 35	0.80	1	1.25	1.40
50 to 63	0.80	1	1.35	1.50
100	0.70	1	1.35	1.50

Coefficients of Temperature for Ripple Current

Temperature (°C)	+70 or less	+85	+105
Coefficients	2.1	1.75	1

RVJ Vertical Chip Electrolytic Capacitors

Case size by working voltage & capacitance (in mm)

(mm)

wv(v) Cap.(μF)	6.3	10	16	25	35	50	63	100
10								8 x 10
22						8 x 6.5	8 x 10	10 x 10
33					8 x 6.5	8 x 10	10 x 10	
47				8 x 6.5	8 x 10	8 x 10	10 x 10	
100		8 x 6.5	8 x 6.5 8 x 10	8 x 10	10 x 10	10 x 10		
220	8 x 10	8 x 10	10 x 10	10 x 10	10 x 10			
330	8 x 10	10 x 10	10 x 10	10 x 10				
470	10 x 10	10 x 10	10 x 10					

Standard Ratings

ELNA PART NO. / WV (V)	CAP. (μF)	SIZE (φ x L) (mm)	tan δ	ESR (Ω)	Ripple Current (mA _{rms})
6.3 V					
RVJ-6V221MG10-R	220	8 x 10	0.30	0.50	178
RVJ-6V331MG10-R	330	8 x 10	0.30	0.50	178
RVJ-6V471MH10-R	470	10 x 10	0.30	0.30	324
10 V					
RVJ-10V101MG68-R	100	8 x 6.5	0.26	1.2	110
RVJ-10V221MG10-R	220	8 x 10	0.26	0.50	178
RVJ-10V331MH10-R	330	10 x 10	0.26	0.30	324
RVJ-10V471MH10-R	470	10 x 10	0.26	0.30	324
16 V					
RVJ-16V101MG68-R	100	8 x 6.5	0.22	1.2	110
RVJ-16V101MG10-R	100	8 x 10	0.22	0.50	178
RVJ-16V221MH10-R	220	10 x 10	0.22	0.30	324
RVJ-16V331MH10-R	330	10 x 10	0.22	0.30	324
RVJ-16V471MH10-R	470	10 x 10	0.22	0.30	324
25 V					
RVJ-25V470MG68-R	47	8 x 6.5	0.16	1.2	110
RVJ-25V101MG10-R	100	8 x 10	0.16	0.50	178
RVJ-25V221MH10-R	220	10 x 10	0.16	0.30	324
RVJ-25V331MH10-R	330	10 x 10	0.16	0.30	324

ELNA PART NO. / WV (V)	CAP. (μF)	SIZE (φ x L) (mm)	tan δ	ESR (Ω)	Ripple Current (mA _{rms})
35 V					
RVJ-35V330MG68-R	33	8 x 6.5	0.13	1.2	110
RVJ-35V470MG10-R	47	8 x 10	0.13	0.50	178
RVJ-35V101MH10-R	100	10 x 10	0.13	0.30	324
RVJ-35V221MH10-R	220	10 x 10	0.13	0.30	324
50 V					
RVJ-50V220MG68-R	22	8 x 6.5	0.12	1.2	110
RVJ-50V330MG10-R	33	8 x 10	0.12	0.50	178
RVJ-50V470MG10-R	47	8 x 10	0.12	0.50	178
RVJ-50V101MH10-R	100	10 x 10	0.12	0.30	324
63 V					
RVJ-63V220MG10-R	22	8 x 10	0.11	1.0	99
RVJ-63V330MH10-R	33	10 x 10	0.11	0.65	160
RVJ-63V470MH10-R	47	10 x 10	0.11	0.65	160
100 V					
RVJ-100V100MG10-R	10	8 x 10	0.10	1.2	67
RVJ-100V220MH10-R	22	10 x 10	0.10	0.78	133

Note: ESR 100 kHz at 20°C
Allowable Ripple Current 120 Hz at 105°C