

---



---

**ULTRA-SMALL PACKAGE HIGH-PRECISION VOLTAGE DETECTOR  
WITH DELAY CIRCUIT (EXTERNAL DELAY TIME SETTING)**


---



---

**S-809xxC Series**

The S-809xxC Series is a high-precision voltage detector developed using CMOS process. The detection voltage is fixed internally with an accuracy of  $\pm 2.0\%$ . A time delayed reset can be accomplished with the addition of an external capacitor. Two output forms, Nch open-drain and CMOS output, are available.

**■ Features**

- Ultra-low current consumption      1.0  $\mu\text{A}$  typ. (Detection voltage  $\leq 1.4\text{ V}$ , at  $V_{\text{DD}}=2.0\text{ V}$ )  
1.1  $\mu\text{A}$  typ. (Detection voltage  $\geq 1.5\text{ V}$ , at  $V_{\text{DD}}=3.5\text{ V}$ )
- High-precision detection voltage     $\pm 2.0\%$
- Operating voltage range            0.7 V to 10.0 V
- Hysteresis characteristics          5 % typ.
- Detection voltage                    1.3 V to 6.0 V (0.1 V step)
- Output forms                         Nch open-drain output (Active Low)  
CMOS output (Active Low)
- Lead-free products

**■ Applications**

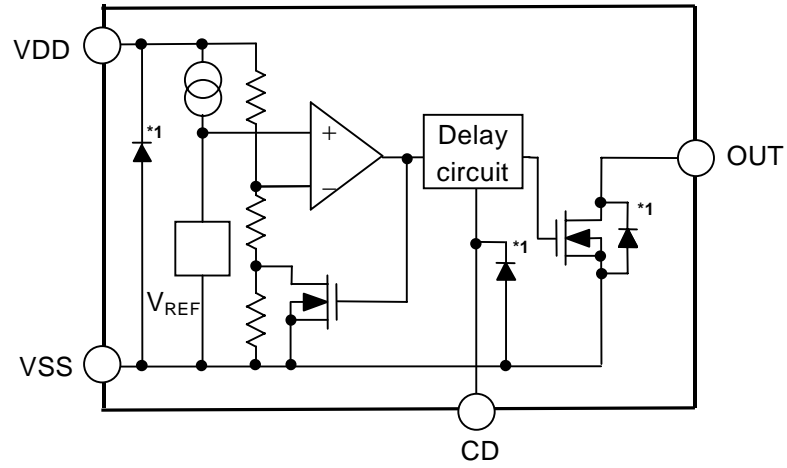
- Power supply monitor for portable equipment such as notebook PCs, digital still cameras, PDAs and cellular phones
- Constant voltage power monitor for cameras, video equipment and communication equipment
- Power monitor and reset for CPUs and microcomputers

**■ Packages**

Package name	Drawing code			
	Package	Tape	Reel	Land
SC-82AB	NP004-A	NP004-A	NP004-A	—
SOT-23-5	MP005-A	MP005-A	MP005-A	—
SNT-4A	PF004-A	PF004-A	PF004-A	PF004-A

■ **Block Diagrams**

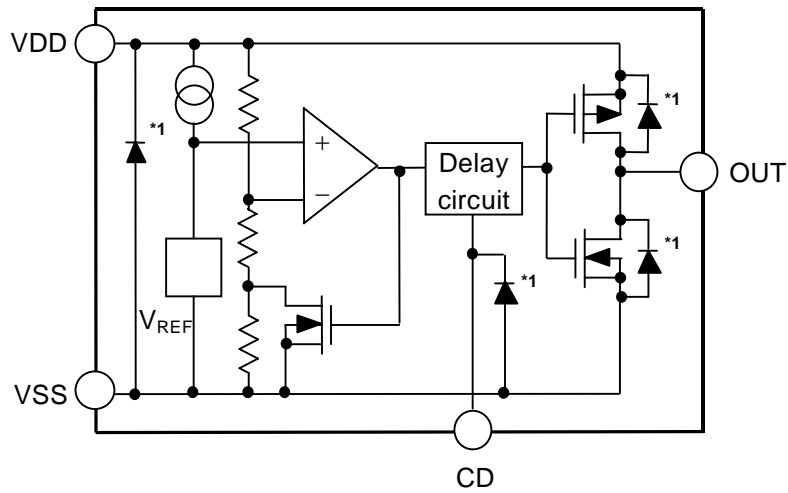
1. **Nch Open-drain Output Products**



\*1. Parasitic diode

**Figure 1**

2. **CMOS Output Products**



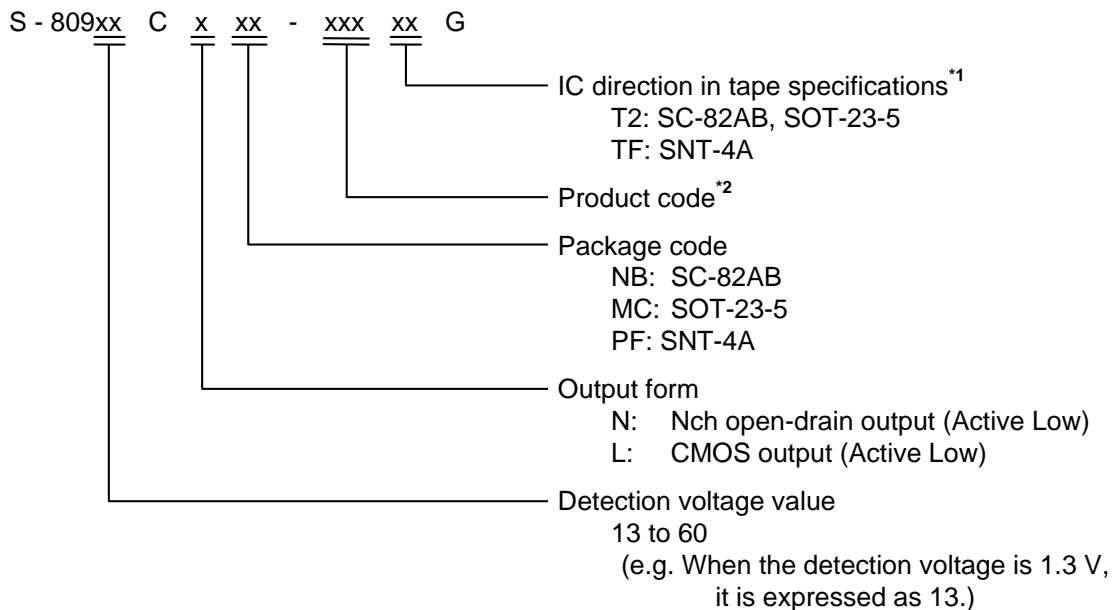
\*1. Parasitic diode

**Figure 2**

■ **Product Name Structure**

The detection voltage, output form and packages for S-809xxC Series can be selected at the user's request. Refer to the "1. Product Name" for the construction of the product name and "2. Product Name List" for the full product names.

1. **Product Name**



\*1. Refer to the taping specifications at the end of this book.

\*2. Refer to the **Table 1 to 2** in the "2. Product Name List"

2. Product Name List

2-1. Nch Open-drain Output Products

Table 1

Detection voltage range	Hysteresis width (Typ.)	SC-82AB	SOT-23-5	SNT-4A
1.3 V ±2.0 %	0.065 V	S-80913CNNB-G8HT2G	S-80913CNMC-G8HT2G	S-80913CNPF-G8HTFG
1.4 V ±2.0 %	0.070 V	S-80914CNNB-G8JT2G	S-80914CNMC-G8JT2G	S-80914CNPF-G8JTFG
1.5 V ±2.0 %	0.075 V	S-80915CNNB-G8KT2G	S-80915CNMC-G8KT2G	S-80915CNPF-G8KTFG
1.6 V ±2.0 %	0.080 V	S-80916CNNB-G8LT2G	S-80916CNMC-G8LT2G	S-80916CNPF-G8LTFG
1.7 V ±2.0 %	0.085 V	S-80917CNNB-G8MT2G	S-80917CNMC-G8MT2G	S-80917CNPF-G8MTFG
1.8 V ±2.0 %	0.090 V	S-80918CNNB-G8NT2G	S-80918CNMC-G8NT2G	S-80918CNPF-G8NTFG
1.9 V ±2.0 %	0.095 V	S-80919CNNB-G8PT2G	S-80919CNMC-G8PT2G	S-80919CNPF-G8PTFG
2.0 V ±2.0 %	0.100 V	S-80920CNNB-G8QT2G	S-80920CNMC-G8QT2G	S-80920CNPF-G8QTFG
2.1 V ±2.0 %	0.105 V	S-80921CNNB-G8RT2G	S-80921CNMC-G8RT2G	S-80921CNPF-G8RTFG
2.2 V ±2.0 %	0.110 V	S-80922CNNB-G8ST2G	S-80922CNMC-G8ST2G	S-80922CNPF-G8STFG
2.3 V ±2.0 %	0.115 V	S-80923CNNB-G8TT2G	S-80923CNMC-G8TT2G	S-80923CNPF-G8TTFG
2.4 V ±2.0 %	0.120 V	S-80924CNNB-G8UT2G	S-80924CNMC-G8UT2G	S-80924CNPF-G8UTFG
2.5 V ±2.0 %	0.125 V	S-80925CNNB-G8VT2G	S-80925CNMC-G8VT2G	S-80925CNPF-G8VTFG
2.6 V ±2.0 %	0.130 V	S-80926CNNB-G8WT2G	S-80926CNMC-G8WT2G	S-80926CNPF-G8WTFG
2.7 V ±2.0 %	0.135 V	S-80927CNNB-G8XT2G	S-80927CNMC-G8XT2G	S-80927CNPF-G8XTFG
2.8 V ±2.0 %	0.140 V	S-80928CNNB-G8YT2G	S-80928CNMC-G8YT2G	S-80928CNPF-G8YTFG
2.9 V ±2.0 %	0.145 V	S-80929CNNB-G8ZT2G	S-80929CNMC-G8ZT2G	S-80929CNPF-G8ZTFG
3.0 V ±2.0 %	0.150 V	S-80930CNNB-G80T2G	S-80930CNMC-G80T2G	S-80930CNPF-G80TFG
3.1 V ±2.0 %	0.155 V	S-80931CNNB-G81T2G	S-80931CNMC-G81T2G	S-80931CNPF-G81TFG
3.2 V ±2.0 %	0.160 V	S-80932CNNB-G82T2G	S-80932CNMC-G82T2G	S-80932CNPF-G82TFG
3.3 V ±2.0 %	0.165 V	S-80933CNNB-G83T2G	S-80933CNMC-G83T2G	S-80933CNPF-G83TFG
3.4 V ±2.0 %	0.170 V	S-80934CNNB-G84T2G	S-80934CNMC-G84T2G	S-80934CNPF-G84TFG
3.5 V ±2.0 %	0.175 V	S-80935CNNB-G85T2G	S-80935CNMC-G85T2G	S-80935CNPF-G85TFG
3.6 V ±2.0 %	0.180 V	S-80936CNNB-G86T2G	S-80936CNMC-G86T2G	S-80936CNPF-G86TFG
3.7 V ±2.0 %	0.185 V	S-80937CNNB-G87T2G	S-80937CNMC-G87T2G	S-80937CNPF-G87TFG
3.8 V ±2.0 %	0.190 V	S-80938CNNB-G88T2G	S-80938CNMC-G88T2G	S-80938CNPF-G88TFG
3.9 V ±2.0 %	0.195 V	S-80939CNNB-G89T2G	S-80939CNMC-G89T2G	S-80939CNPF-G89TFG
4.0 V ±2.0 %	0.200 V	S-80940CNNB-G9AT2G	S-80940CNMC-G9AT2G	S-80940CNPF-G9ATFG
4.1 V ±2.0 %	0.205 V	S-80941CNNB-G9BT2G	S-80941CNMC-G9BT2G	S-80941CNPF-G9BTFG
4.2 V ±2.0 %	0.210 V	S-80942CNNB-G9CT2G	S-80942CNMC-G9CT2G	S-80942CNPF-G9CTFG
4.3 V ±2.0 %	0.215 V	S-80943CNNB-G9DT2G	S-80943CNMC-G9DT2G	S-80943CNPF-G9DTFG
4.4 V ±2.0 %	0.220 V	S-80944CNNB-G9ET2G	S-80944CNMC-G9ET2G	S-80944CNPF-G9ETFG
4.5 V ±2.0 %	0.225 V	S-80945CNNB-G9FT2G	S-80945CNMC-G9FT2G	S-80945CNPF-G9FTFG
4.6 V ±2.0 %	0.230 V	S-80946CNNB-G9GT2G	S-80946CNMC-G9GT2G	S-80946CNPF-G9GTFG
4.7 V ±2.0 %	0.235 V	S-80947CNNB-G9HT2G	S-80947CNMC-G9HT2G	S-80947CNPF-G9HTFG
4.8 V ±2.0 %	0.240 V	S-80948CNNB-G9JT2G	S-80948CNMC-G9JT2G	S-80948CNPF-G9JTFG
4.9 V ±2.0 %	0.245 V	S-80949CNNB-G9KT2G	S-80949CNMC-G9KT2G	S-80949CNPF-G9KTFG
5.0 V ±2.0 %	0.250 V	S-80950CNNB-G9LT2G	S-80950CNMC-G9LT2G	S-80950CNPF-G9LTFG
5.1 V ±2.0 %	0.255 V	S-80951CNNB-G9MT2G	S-80951CNMC-G9MT2G	S-80951CNPF-G9MTFG
5.2 V ±2.0 %	0.260 V	S-80952CNNB-G9NT2G	S-80952CNMC-G9NT2G	S-80952CNPF-G9NTFG
5.3 V ±2.0 %	0.265 V	S-80953CNNB-G9PT2G	S-80953CNMC-G9PT2G	S-80953CNPF-G9PTFG
5.4 V ±2.0 %	0.270 V	S-80954CNNB-G9QT2G	S-80954CNMC-G9QT2G	S-80954CNPF-G9QTFG
5.5 V ±2.0 %	0.275 V	S-80955CNNB-G9RT2G	S-80955CNMC-G9RT2G	S-80955CNPF-G9RTFG
5.6 V ±2.0 %	0.280 V	S-80956CNNB-G9ST2G	S-80956CNMC-G9ST2G	S-80956CNPF-G9STFG
5.7V ±2.0 %	0.285 V	S-80957CNNB-G9TT2G	S-80957CNMC-G9TT2G	S-80957CNPF-G9TTFG
5.8 V ±2.0 %	0.290 V	S-80958CNNB-G9UT2G	S-80958CNMC-G9UT2G	S-80958CNPF-G9UTFG
5.9 V ±2.0 %	0.295 V	S-80959CNNB-G9VT2G	S-80959CNMC-G9VT2G	S-80959CNPF-G9VTFG
6.0 V ±2.0 %	0.300 V	S-80960CNNB-G9WT2G	S-80960CNMC-G9WT2G	S-80960CNPF-G9WTFG

2-2. CMOS Output Products

Table 2

Detection voltage range	Hysteresis width (Typ.)	SC-82AB	SOT-23-5	SNT-4A
1.3 V ±2.0 %	0.065 V	S-80913CLNB-G6HT2G	S-80913CLMC-G6HT2G	S-80913CLPF-G6HTFG
1.4 V ±2.0 %	0.070 V	S-80914CLNB-G6JT2G	S-80914CLMC-G6JT2G	S-80914CLPF-G6JTFG
1.5 V ±2.0 %	0.075 V	S-80915CLNB-G6KT2G	S-80915CLMC-G6KT2G	S-80915CLPF-G6KTFG
1.6 V ±2.0 %	0.080 V	S-80916CLNB-G6LT2G	S-80916CLMC-G6LT2G	S-80916CLPF-G6LTFG
1.7 V ±2.0 %	0.085 V	S-80917CLNB-G6MT2G	S-80917CLMC-G6MT2G	S-80917CLPF-G6MTFG
1.8 V ±2.0 %	0.090 V	S-80918CLNB-G6NT2G	S-80918CLMC-G6NT2G	S-80918CLPF-G6NTFG
1.9 V ±2.0 %	0.095 V	S-80919CLNB-G6PT2G	S-80919CLMC-G6PT2G	S-80919CLPF-G6PTFG
2.0 V ±2.0 %	0.100 V	S-80920CLNB-G6QT2G	S-80920CLMC-G6QT2G	S-80920CLPF-G6QTFG
2.1 V ±2.0 %	0.105 V	S-80921CLNB-G6RT2G	S-80921CLMC-G6RT2G	S-80921CLPF-G6RTFG
2.2 V ±2.0 %	0.110 V	S-80922CLNB-G6ST2G	S-80922CLMC-G6ST2G	S-80922CLPF-G6STFG
2.3 V ±2.0 %	0.115 V	S-80923CLNB-G6TT2G	S-80923CLMC-G6TT2G	S-80923CLPF-G6TTFG
2.4 V ±2.0 %	0.120 V	S-80924CLNB-G6UT2G	S-80924CLMC-G6UT2G	S-80924CLPF-G6UTFG
2.5 V ±2.0 %	0.125 V	S-80925CLNB-G6VT2G	S-80925CLMC-G6VT2G	S-80925CLPF-G6VTFG
2.6 V ±2.0 %	0.130 V	S-80926CLNB-G6WT2G	S-80926CLMC-G6WT2G	S-80926CLPF-G6WTFG
2.7 V ±2.0 %	0.135 V	S-80927CLNB-G6XT2G	S-80927CLMC-G6XT2G	S-80927CLPF-G6XTFG
2.8 V ±2.0 %	0.140 V	S-80928CLNB-G6YT2G	S-80928CLMC-G6YT2G	S-80928CLPF-G6YTFG
2.9 V ±2.0 %	0.145 V	S-80929CLNB-G6ZT2G	S-80929CLMC-G6ZT2G	S-80929CLPF-G6ZTFG
3.0 V ±2.0 %	0.150 V	S-80930CLNB-G60T2G	S-80930CLMC-G60T2G	S-80930CLPF-G60TFG
3.1 V ±2.0 %	0.155 V	S-80931CLNB-G61T2G	S-80931CLMC-G61T2G	S-80931CLPF-G61TFG
3.2 V ±2.0 %	0.160 V	S-80932CLNB-G62T2G	S-80932CLMC-G62T2G	S-80932CLPF-G62TFG
3.3 V ±2.0 %	0.165 V	S-80933CLNB-G63T2G	S-80933CLMC-G63T2G	S-80933CLPF-G63TFG
3.4 V ±2.0 %	0.170 V	S-80934CLNB-G64T2G	S-80934CLMC-G64T2G	S-80934CLPF-G64TFG
3.5 V ±2.0 %	0.175 V	S-80935CLNB-G65T2G	S-80935CLMC-G65T2G	S-80935CLPF-G65TFG
3.6 V ±2.0 %	0.180 V	S-80936CLNB-G66T2G	S-80936CLMC-G66T2G	S-80936CLPF-G66TFG
3.7 V ±2.0 %	0.185 V	S-80937CLNB-G67T2G	S-80937CLMC-G67T2G	S-80937CLPF-G67TFG
3.8 V ±2.0 %	0.190 V	S-80938CLNB-G68T2G	S-80938CLMC-G68T2G	S-80938CLPF-G68TFG
3.9 V ±2.0 %	0.195 V	S-80939CLNB-G69T2G	S-80939CLMC-G69T2G	S-80939CLPF-G69TFG
4.0 V ±2.0 %	0.200 V	S-80940CLNB-G7AT2G	S-80940CLMC-G7AT2G	S-80940CLPF-G7ATFG
4.1 V ±2.0 %	0.205 V	S-80941CLNB-G7BT2G	S-80941CLMC-G7BT2G	S-80941CLPF-G7BTFG
4.2 V ±2.0 %	0.210 V	S-80942CLNB-G7CT2G	S-80942CLMC-G7CT2G	S-80942CLPF-G7CTFG
4.3 V ±2.0 %	0.215 V	S-80943CLNB-G7DT2G	S-80943CLMC-G7DT2G	S-80943CLPF-G7DTFG
4.4 V ±2.0 %	0.220 V	S-80944CLNB-G7ET2G	S-80944CLMC-G7ET2G	S-80944CLPF-G7ETFG
4.5 V ±2.0 %	0.225 V	S-80945CLNB-G7FT2G	S-80945CLMC-G7FT2G	S-80945CLPF-G7FTFG
4.6 V ±2.0 %	0.230 V	S-80946CLNB-G7GT2G	S-80946CLMC-G7GT2G	S-80946CLPF-G7GTFG
4.7 V ±2.0 %	0.235 V	S-80947CLNB-G7HT2G	S-80947CLMC-G7HT2G	S-80947CLPF-G7HTFG
4.8 V ±2.0 %	0.240 V	S-80948CLNB-G7JT2G	S-80948CLMC-G7JT2G	S-80948CLPF-G7JTFG
4.9 V ±2.0 %	0.245 V	S-80949CLNB-G7KT2G	S-80949CLMC-G7KT2G	S-80949CLPF-G7KTFG
5.0 V ±2.0 %	0.250 V	S-80950CLNB-G7LT2G	S-80950CLMC-G7LT2G	S-80950CLPF-G7LTFG
5.1 V ±2.0 %	0.255 V	S-80951CLNB-G7MT2G	S-80951CLMC-G7MT2G	S-80951CLPF-G7MTFG
5.2 V ±2.0 %	0.260 V	S-80952CLNB-G7NT2G	S-80952CLMC-G7NT2G	S-80952CLPF-G7NTFG
5.3 V ±2.0 %	0.265 V	S-80953CLNB-G7PT2G	S-80953CLMC-G7PT2G	S-80953CLPF-G7PTFG
5.4 V ±2.0 %	0.270 V	S-80954CLNB-G7QT2G	S-80954CLMC-G7QT2G	S-80954CLPF-G7QTFG
5.5 V ±2.0 %	0.275 V	S-80955CLNB-G7RT2G	S-80955CLMC-G7RT2G	S-80955CLPF-G7RTFG
5.6 V ±2.0 %	0.280 V	S-80956CLNB-G7ST2G	S-80956CLMC-G7ST2G	S-80956CLPF-G7STFG
5.7 V ±2.0 %	0.285 V	S-80957CLNB-G7TT2G	S-80957CLMC-G7TT2G	S-80957CLPF-G7TTFG
5.8 V ±2.0 %	0.290 V	S-80958CLNB-G7UT2G	S-80958CLMC-G7UT2G	S-80958CLPF-G7UTFG
5.9 V ±2.0 %	0.295 V	S-80959CLNB-G7VT2G	S-80959CLMC-G7VT2G	S-80959CLPF-G7VTFG
6.0 V ±2.0 %	0.300 V	S-80960CLNB-G7WT2G	S-80960CLMC-G7WT2G	S-80960CLPF-G7WTFG

■ Pin Configurations

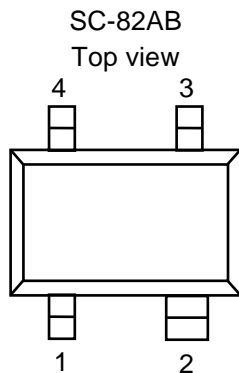


Figure 3

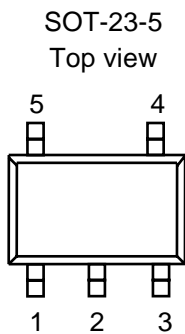


Figure 4

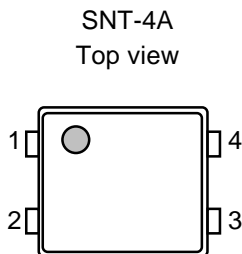


Figure 5

Table 3

Pin No.	Symbol	Description
1	VSS	GND pin
2	VDD	Voltage input pin
3	CD	Connection pin for delay capacitor
4	OUT	Voltage detection output pin

Table 4

Pin No.	Symbol	Description
1	OUT	Voltage detection output pin
2	VDD	Voltage input pin
3	VSS	GND pin
4	NC <sup>*1</sup>	No connection
5	CD	Connection pin for delay capacitor

\*1. The NC pin is electrically open.  
 The NC pin can be connected to VDD or VSS.

Table 5

Pin No.	Symbol	Description
1	VSS	GND pin
2	OUT	Voltage detection output pin
3	CD	Connection pin for delay capacitor
4	VDD	Voltage input pin

■ Absolute Maximum Ratings

Table 6

(Ta=25°C unless otherwise specified)

Item	Symbol	Absolute maximum ratings	Unit	
Power supply voltage	$V_{DD}-V_{SS}$	12	V	
CD pin input voltage	$V_{CD}$	$V_{SS}-0.3$ to $V_{DD}+0.3$		
Output voltage	$V_{OUT}$	Nch open-drain output products $V_{SS}-0.3$ to $V_{SS}+12$		
		CMOS output products $V_{SS}-0.3$ to $V_{DD}+0.3$		
Output current	$I_{OUT}$	50	mA	
Power dissipation	$P_D$	SC-82AB	150 (When not mounted on board)	mW
			350 <sup>*1</sup>	
		SOT-23-5	250 (When not mounted on board)	
			600 <sup>*1</sup>	
		SNT-4A	140 (When not mounted on board)	
		300 <sup>*1</sup>		
Operating ambient temperature	$T_{opr}$	-40 to +85	°C	
Storage temperature	$T_{stg}$	-40 to +125		

\*1. When mounted on board  
 [Mounted board]

- (1) Board size: 114.3 mm × 76.2 mm × t1.6 mm
- (2) Board name: JEDEC STANDARD51-7

**Caution** The absolute maximum ratings are rated values exceeding which the product could suffer physical damage. These values must therefore not be exceeded under any conditions.

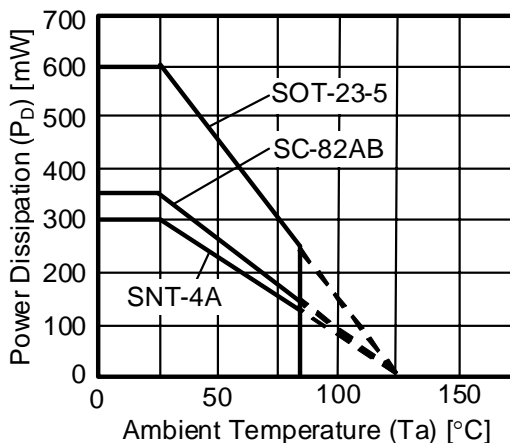


Figure 6 Power Dissipation of Package (When Mounted on Board)

■ **Electrical Characteristics**

1. **Nch Open-drain Output Products**

**Table 7**

(Ta=25°C unless otherwise specified)

Item	Symbol	Condition	Min.	Typ.	Max.	Unit	Test circuit	
Detection voltage*1	$-V_{DET}$	—	$-V_{DET(S)} \times 0.98$	$-V_{DET(S)}$	$-V_{DET(S)} \times 1.02$	V	1	
Hysteresis width	$V_{HYS}$	S-80913 to 14	$-V_{DET} \times 0.03$	$-V_{DET} \times 0.05$	$-V_{DET} \times 0.08$	V	1	
		S-80915 to 60	$-V_{DET} \times 0.03$	$-V_{DET} \times 0.05$	$-V_{DET} \times 0.07$			
Current consumption	$I_{SS}$	$V_{DD}=2.0\text{ V}$ S-80913 to 14	—	1.0	2.5	$\mu\text{A}$	2	
		$V_{DD}=3.5\text{ V}$ S-80915 to 26	—	1.1	2.8			
		$V_{DD}=4.5\text{ V}$ S-80927 to 39	—	1.2	3.0			
		$V_{DD}=6.0\text{ V}$ S-80940 to 54	—	1.3	3.3			
		$V_{DD}=7.5\text{ V}$ S-80955 to 60	—	1.4	3.5			
Operating voltage	$V_{DD}$	—	0.7	—	10.0	V	1	
Output current	$I_{OUT}$	Output transistor, $V_{DD}=0.95\text{ V}$ Nch, $V_{DS}=0.5\text{ V}$ S-80913 to 14	0.23	0.64	—	mA	3	
		$V_{DD}=1.2\text{ V}$ S-80915 to 60	0.59	1.36	—			
		$V_{DD}=2.4\text{ V}$ S-80927 to 60	2.88	4.98	—			
Leakage current	$I_{LEAK}$	Output transistor, Nch, $V_{DS}=10.0\text{ V}$ , $V_{DD}=10.0\text{ V}$	—	—	0.1	$\mu\text{A}$	—	
Delay time	$t_D$	$C_D=4.7\text{ nF}$	$V_{DD}=2.0\text{ V}$ S-80913 to 14	2.7	3.6	4.5	ms	4
			$V_{DD}=3.5\text{ V}$ S-80915 to 26	20	27	34		
			$V_{DD}=4.5\text{ V}$ S-80927 to 39					
			$V_{DD}=6.0\text{ V}$ S-80940 to 54					
			$V_{DD}=7.5\text{ V}$ S-80955 to 60					
Detection voltage temperature coefficient*2	$\frac{\Delta - V_{DET}}{\Delta T_a \bullet -V_{DET}}$	Ta=-40°C to +85°C	—	$\pm 100$	$\pm 350$	ppm/ °C	1	

\*1.  $-V_{DET}$ : Actual detection voltage,  $-V_{DET(S)}$ : Specified detection voltage (The center value of detection voltage range in **Table 1**.)

\*2. The temperature change ratio in the detection voltage [mV/°C] is calculated by using the following equation.

$$\frac{\Delta - V_{DET}}{\Delta T_a} [\text{mV}/^\circ\text{C}]^{*1} = -V_{DET}(\text{Typ.}) [\text{V}]^{*2} \times \frac{\Delta - V_{DET}}{\Delta T_a \bullet -V_{DET}} [\text{ppm}/^\circ\text{C}]^{*3} \div 1000$$

\*1. Temperature change ratio of the detection voltage

\*2. Specified detection voltage

\*3. Detection voltage temperature coefficient



2. CMOS Output Products

Table 8

(Ta=25°C unless otherwise specified)

Item	Symbol	Condition		Min.	Typ.	Max.	Unit	Test circuit
Detection voltage *1	$-V_{DET}$	—		$-V_{DET(S)} \times 0.98$	$-V_{DET(S)}$	$-V_{DET(S)} \times 1.02$	V	1
Hysteresis width	$V_{HYS}$	S-80913 to 14		$-V_{DET} \times 0.03$	$-V_{DET} \times 0.05$	$-V_{DET} \times 0.08$		
		S-80915 to 60		$-V_{DET} \times 0.03$	$-V_{DET} \times 0.05$	$-V_{DET} \times 0.07$		
Current consumption	$I_{SS}$	$V_{DD}=2.0\text{ V}$	S-80913 to 14	—	1.0	2.5	$\mu\text{A}$	2
		$V_{DD}=3.5\text{ V}$	S-80915 to 26	—	1.1	2.8		
		$V_{DD}=4.5\text{ V}$	S-80927 to 39	—	1.2	3.0		
		$V_{DD}=6.0\text{ V}$	S-80940 to 54	—	1.3	3.3		
		$V_{DD}=7.5\text{ V}$	S-80955 to 60	—	1.4	3.5		
Operating voltage	$V_{DD}$	—		0.7	—	10.0	V	1
Output current	$I_{OUT}$	Output transistor, Nch, $V_{DS}=0.5\text{ V}$	$V_{DD}=0.95\text{ V}$ S-80913 to 14	0.23	0.64	—	mA	3
			$V_{DD}=1.2\text{ V}$ S-80915 to 60	0.59	1.36	—		
			$V_{DD}=2.4\text{ V}$ S-80927 to 60	2.88	4.98	—		
		Output transistor, Pch, $V_{DS}=0.5\text{ V}$	$V_{DD}=4.8\text{ V}$ S-80913 to 39	1.43	2.39	—		5
			$V_{DD}=6.0\text{ V}$ S-80940 to 54	1.68	2.78	—		
			$V_{DD}=8.4\text{ V}$ S-80955 to 60	2.08	3.42	—		
Delay time	$t_D$	$C_D=4.7\text{ nF}$	$V_{DD}=2.0\text{ V}$ S-80913 to 14	2.7	3.6	4.5	ms	4
			$V_{DD}=3.5\text{ V}$ S-80915 to 26	18	24	30		
			$V_{DD}=4.5\text{ V}$ S-80927 to 39					
			$V_{DD}=6.0\text{ V}$ S-80940 to 54					
			$V_{DD}=7.5\text{ V}$ S-80955 to 60					
Detection voltage temperature coefficient *2	$\frac{\Delta - V_{DET}}{\Delta T_a \bullet -V_{DET}}$	Ta=-40°C to +85°C		—	$\pm 100$	$\pm 350$	ppm/ °C	1

\*1.  $-V_{DET}$ : Actual detection voltage,  $-V_{DET(S)}$ : Specified detection voltage (The center value of detection voltage range in Table 2.)

\*2. The temperature change ratio in the detection voltage [mV/°C] is calculated by using the following equation.

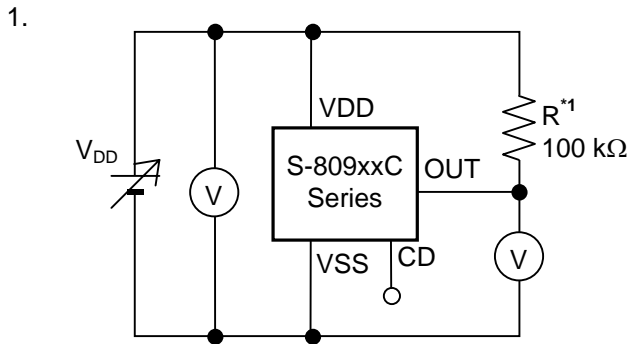
$$\frac{\Delta - V_{DET}}{\Delta T_a} [\text{mV}/^\circ\text{C}]^{*1} = -V_{DET}(\text{Typ.})[\text{V}]^{*2} \times \frac{\Delta - V_{DET}}{\Delta T_a \bullet -V_{DET}} [\text{ppm}/^\circ\text{C}]^{*3} \div 1000$$

\*1. Temperature change ratio of the detection voltage

\*2. Specified detection voltage

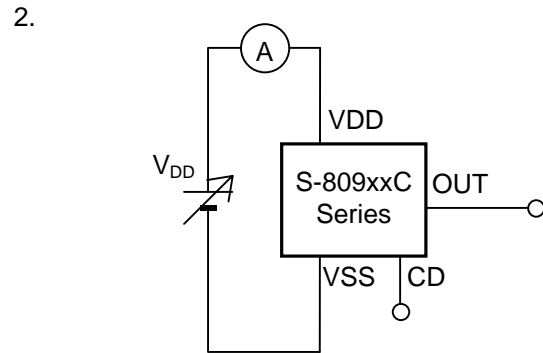
\*3. Detection voltage temperature coefficient

■ Test Circuits

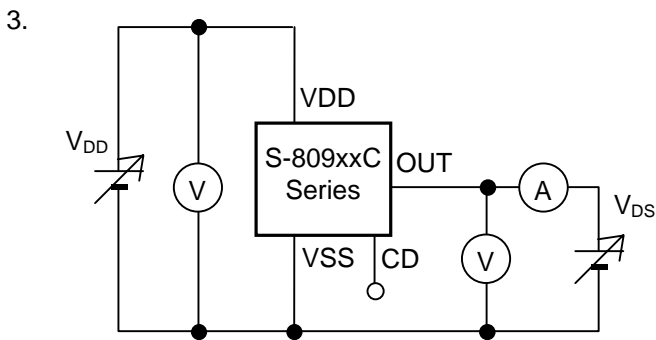


\*1. R is unnecessary for CMOS output products.

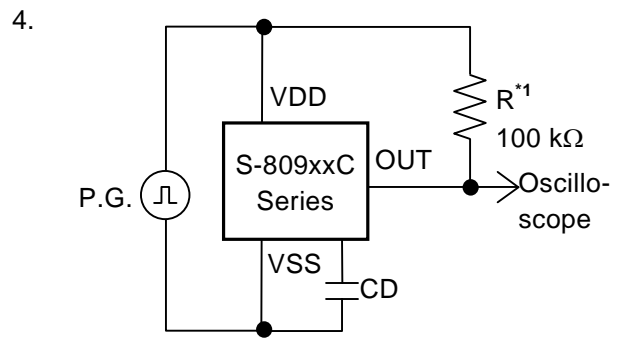
**Figure 7**



**Figure 8**

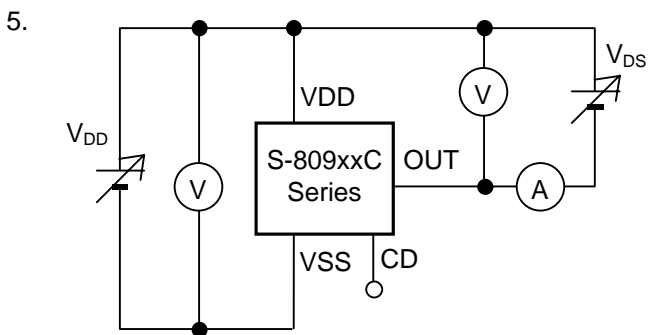


**Figure 9**



\*1. R is unnecessary for CMOS output products.

**Figure 10**



**Figure 11**

■ Timing Chart

1. Nch Open-drain Output Products

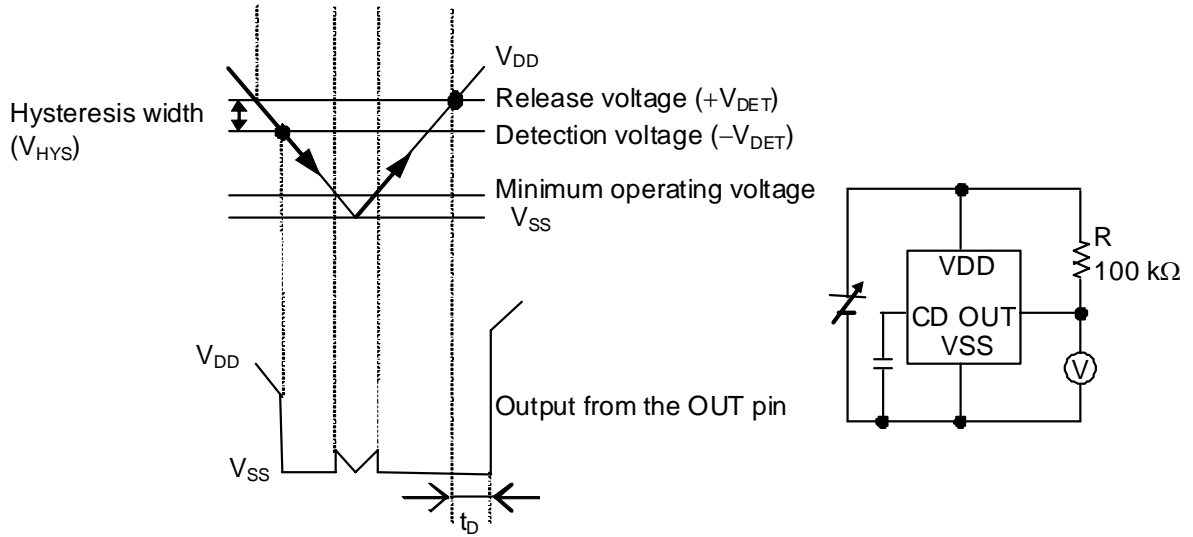
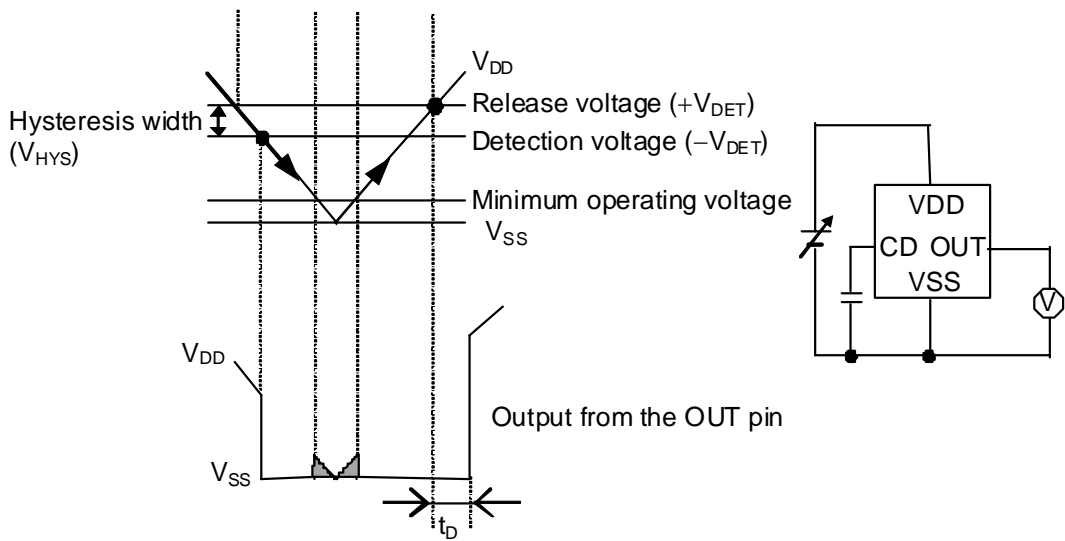


Figure 12

2. CMOS Output Products



**Remark** For values of  $V_{DD}$  less than minimum operating voltage, values of OUT pin output is free of the shaded region.

Figure 13

■ Operation

1. Basic Operation: CMOS Output (Active Low)

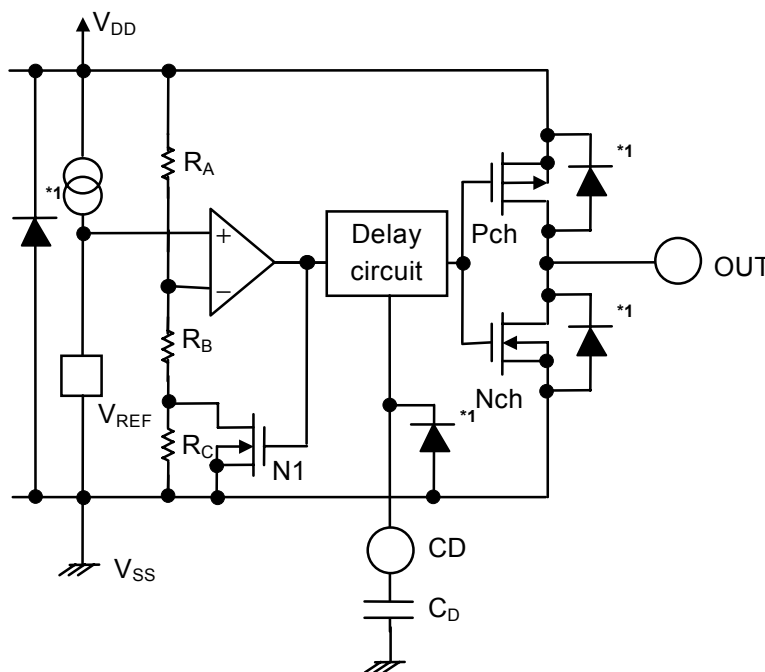
1-1. When the power supply voltage ( $V_{DD}$ ) is higher than the release voltage ( $+V_{DET}$ ), the Nch transistor is OFF and the Pch transistor is ON to provide  $V_{DD}$  (high) at the output. Since the Nch transistor N1 in **Figure 14** is OFF, the comparator input voltage is  $\frac{(R_B + R_C) \cdot V_{DD}}{R_A + R_B + R_C}$ .

1-2. When the  $V_{DD}$  goes below  $+V_{DET}$ , the output provides the  $V_{DD}$  level, as long as the  $V_{DD}$  remains above the detection voltage  $-V_{DET}$ . When the  $V_{DD}$  falls below  $-V_{DET}$  (point A in **Figure 15**), the Nch transistor becomes ON, the Pch transistor becomes OFF, and the  $V_{SS}$  level appears at the output. At this time the Nch transistor N1 in **Figure 14** becomes ON, the comparator input voltage is changed to  $\frac{R_B \cdot V_{DD}}{R_A + R_B}$ .

1-3. When the  $V_{DD}$  falls below the minimum operating voltage, the output becomes undefined, or goes to the  $V_{DD}$  when the output is pulled up to the  $V_{DD}$ .

1-4. The  $V_{SS}$  level appears when the  $V_{DD}$  rises above the minimum operating voltage. The  $V_{SS}$  level still appears even when the  $V_{DD}$  surpasses  $-V_{DET}$ , as long as it does not exceed the release voltage  $+V_{DET}$ .

1-5. When  $V_{DD}$  rises above  $+V_{DET}$  (point B in **Figure 15**), the Nch transistor becomes OFF, and the Pch transistor becomes ON, and  $V_{DD}$  appears at the output after the delay time ( $t_D$ ) counted by the delay circuit.



\*1. Parasitic diode

Figure 14 Operation 1

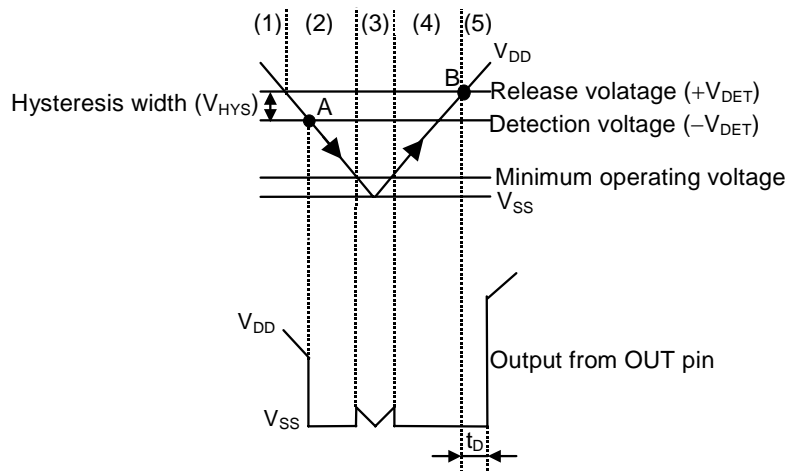


Figure 15 Operation 2

## 2. Delay Circuit

The delay circuit delays the output signal from the time at which the power voltage ( $V_{DD}$ ) exceeds the release voltage ( $+V_{DET}$ ) when  $V_{DD}$  is turned on. The output signal is not delayed when the  $V_{DD}$  goes below the detection voltage ( $-V_{DET}$ ) (Refer to **Figure 15**). The delay time ( $t_D$ ) is determined by the time constant of the built-in constant current (approx. 100 nA ) and the attached external capacitor ( $C_D$ ), and calculated from the following equation.

$$t_D (\text{ms}) = \text{Delay coefficient} \times C_D (\text{nF})$$

Delay coefficient: (25°C)

Detection voltage  $-V_{DET} \leq 1.4 \text{ V}$       Min. 0.57,    Typ. 0.77,    Max. 0.96

Detection voltage  $-V_{DET} \geq 1.5 \text{ V}$

Nch open-drain output products:    Min. 4.3,    Typ. 5.7,    Max. 7.2

CMOS output products:                Min. 3.8,    Typ. 5.1,    Max. 6.4

**Caution 1.** When the CD pin is open, a double pulse shown in Figure 16 may appear at release. To avoid the double pulse, attach 20 pF or larger capacitor to the CD pin. Do not apply voltage to the CD pin.

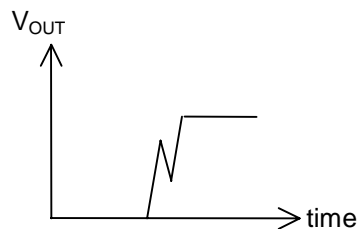


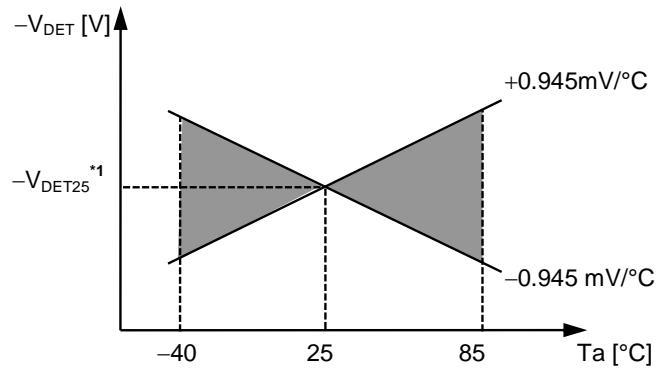
Figure 16

2. Print circuit board layout should be made in such a way that no current flows into or flows from the CD pin since the impedance of the CD pin is high, otherwise correct delay time cannot be provided.
3. There is no limit for the capacitance of the external capacitor ( $C_D$ ) as long as the leakage current of the capacitor can be ignored against the built-in constant current value. Leakage current causes deviation in delay time. When the leakage current is larger than the built-in constant current, no release takes place.

**3. Other characteristics**

**3-1. Temperature Characteristic of Detection Voltage**

The shaded area in **Figure 17** shows the temperature characteristics of the detection voltage.



\*1.  $-V_{DET25}$  is an actual detection voltage value at 25 °C.

**Figure 17 Temperature Characteristic of Detection Voltage (Example for S-80927C)**

**3-2. Temperature Characteristics of Release Voltage**

The temperature coefficient  $\frac{\Delta + V_{DET}}{\Delta Ta}$  for the release voltage is calculated by the temperature coefficient of the detection voltage  $\frac{\Delta - V_{DET}}{\Delta Ta}$  as follows:

$$\frac{\Delta + V_{DET}}{\Delta Ta} = \frac{+V_{DET}}{-V_{DET}} \times \frac{\Delta - V_{DET}}{\Delta Ta}$$

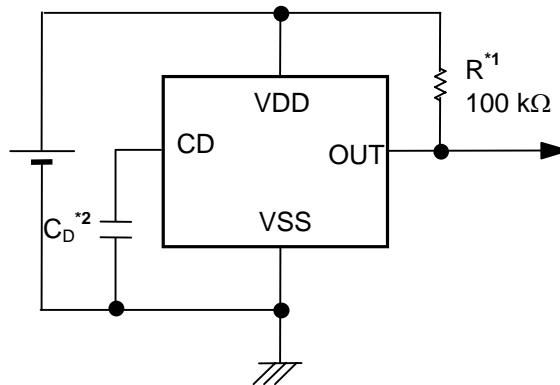
The temperature coefficients for the release voltage and the detection voltage have the same sign consequently.

**3-3. Temperature Characteristics of Hysteresis Voltage**

The temperature characteristics for the hysteresis voltage is expressed as  $\frac{\Delta + V_{DET}}{\Delta Ta} - \frac{\Delta - V_{DET}}{\Delta Ta}$  and is calculated as follows:

$$\frac{\Delta + V_{DET}}{\Delta Ta} - \frac{\Delta - V_{DET}}{\Delta Ta} = \frac{V_{HYS}}{-V_{DET}} \times \frac{\Delta - V_{DET}}{\Delta Ta}$$

■ **Standard Circuit**



- \*1. R is unnecessary for CMOS output products.
- \*2. The delay capacitor ( $C_D$ ) should be connected directly to the CD pin and to the VSS pin.

**Figure 18**

**Caution** The above connection diagram and constant will not guarantee successful operation. Perform through evaluation using the actual application to set the constant.

■ **Technical Terms**

**1. Detection Voltage ( $-V_{DET}$ ), Release Voltage ( $+V_{DET}$ )**

The detection voltage ( $-V_{DET}$ ) is a voltage at which the output turns to low. This detection voltage varies slightly among products of the same specification. The variation of detection voltage between the specified minimum ( $-V_{DET}$ ) Min. and maximum ( $-V_{DET}$ ) Max. is called the detection voltage range (Refer to **Figure 19**).

Example: For the S-80927CN, detection voltage lies in the range of  $2.646 \leq (-V_{DET}) \leq 2.754$ .  
 This means that some S-80927CNs have 2.646 V for  $-V_{DET}$  and some have 2.754 V.

The release voltage ( $+V_{DET}$ ) is a voltage at which the output turns to high. This release voltage varies slightly among products of the same specification. The variation of release voltage between the specified minimum ( $+V_{DET}$ ) Min. and maximum ( $+V_{DET}$ ) Max. is called the release voltage range (Refer to **Figure 20**). The range is calculated from the actual detection voltage ( $-V_{DET}$ ) of a product and is expressed by  $-V_{DET} \times 1.03 \leq +V_{DET} \leq -V_{DET} \times 1.08$  for S-80913 to S-80914, and by  $-V_{DET} \times 1.03 \leq +V_{DET} \leq -V_{DET} \times 1.07$  for S-80915 to S-80960.

Example: For the S-80927CN, the release voltage lies in the range of  $2.725 \leq (+V_{DET}) \leq 2.947$ .  
 This means that some S-80927CNs have 2.725 V for  $+V_{DET}$  and some have 2.947 V.

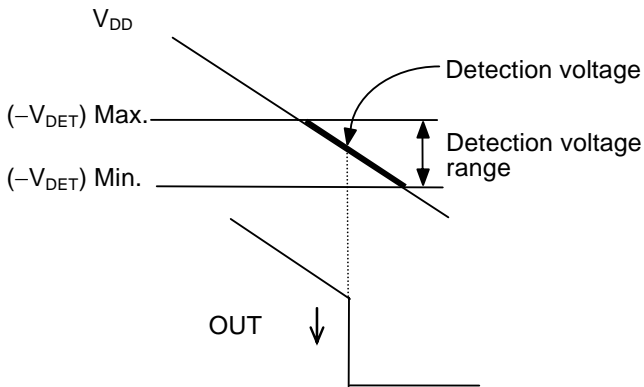


Figure 19 Detection Voltage (CMOS output products)

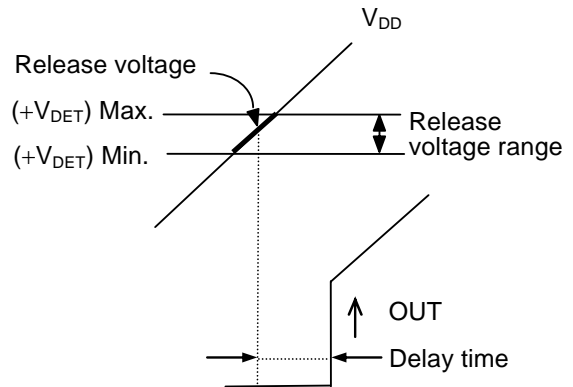


Figure 20 Release Voltage (CMOS output products)

**Remark** Although the detection voltage and release voltage overlap in the range of 2.725 V to 2.754 V,  $+V_{DET}$  is always larger than  $-V_{DET}$ .

## 2. Hysteresis Width ( $V_{HYS}$ )

Hysteresis width is the voltage difference between the detection voltage and the release voltage (The voltage at point B–The voltage at point A= $V_{HYS}$  in **Figure 15**). The existence of the hysteresis width avoids malfunction caused by noise on input signal.

## 3. Delay Time ( $t_D$ )

Delay time is a time internally measured from the instant at which input voltage to the VDD pin exceeds the release voltage ( $+V_{DET}$ ) to the point at which the output of the OUT pin inverts. The delay time changes according to the external capacitor ( $C_D$ ).

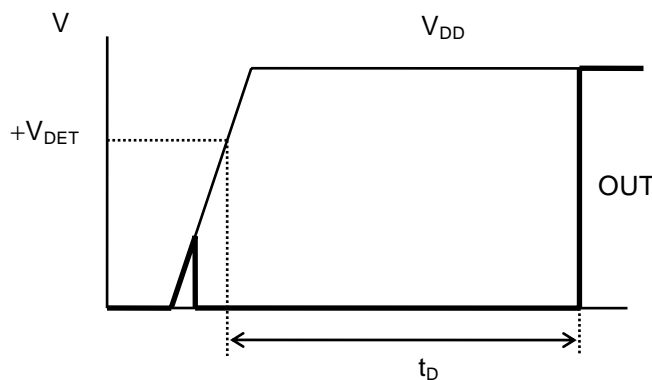


Figure 21

## 4. Through-type Current

The through-type current refers to the current that flows instantaneously at the time of detection and release of a voltage detector. The through-type current is large in CMOS output products, and small in Nch open-drain output products.



## 5. Oscillation

In applications where a resistor is connected to the voltage detector input (**Figure 22**), taking a CMOS active low product for example, the through-type current, which is generated when the output goes from low to high (release) causes a voltage drop equal to [through-type current]  $\times$  [input resistance] across the resistor. When the input voltage drops below the detection voltage ( $-V_{DET}$ ) as a result, the output voltage goes to low level. In this state, the through-type current stops and its resultant voltage drop disappears, and the output goes from low to high. The through-type current again generated, a voltage drop appears, and repeating the process finally induces oscillation.

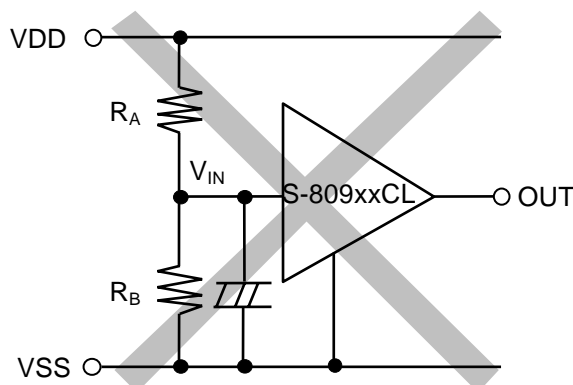


Figure 22 Example for Bad Implementation of Input Voltage Divider (CMOS Output Products)

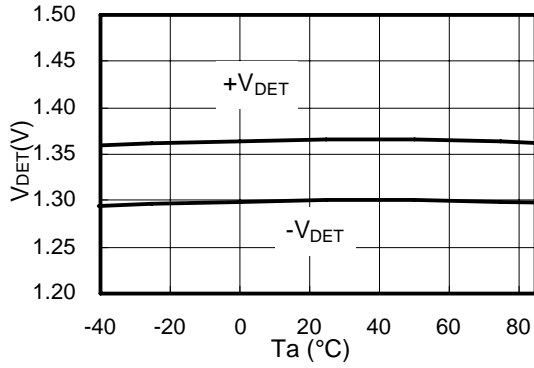
## ■ Precautions

- Do not apply an electrostatic discharge to this IC that exceeds the performance ratings of the built-in electrostatic protection circuit.
- In CMOS output products of the S-809xxC series, the through-type current flows at the detection and the release. If the input impedance is high, oscillation may occur due to the voltage drop by the through-type current during releasing.
- When designing for mass production using an application circuit described herein, the product deviation and temperature characteristics should be taken into consideration. SII shall not bear any responsibility for the patents on the circuits described herein.
- SII claims no responsibility for any and all disputes arising out of or in connection with any infringement of the products including this IC upon patents owned by a third party.

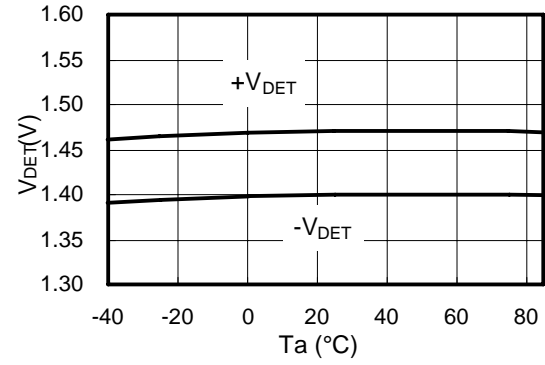
■ **Characteristics (Typical Data)**

**1. Detection Voltage ( $V_{DET}$ ) - Temperature ( $T_a$ )**

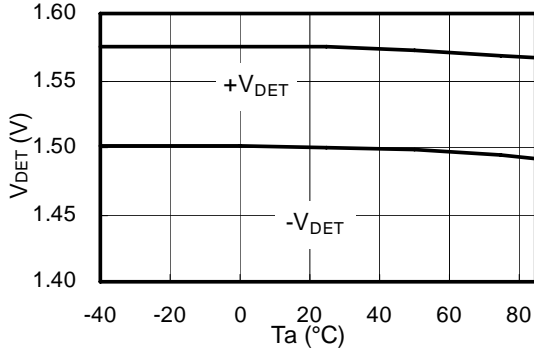
S-80913CN



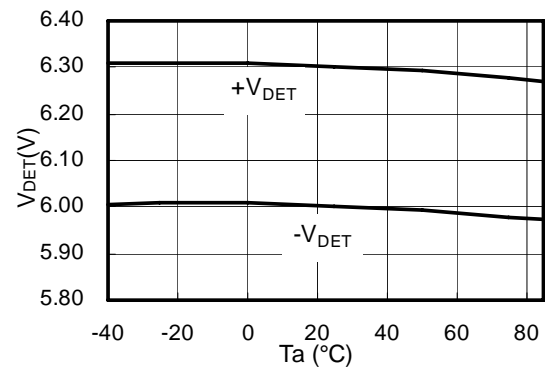
S-80914CN



S-80915CN

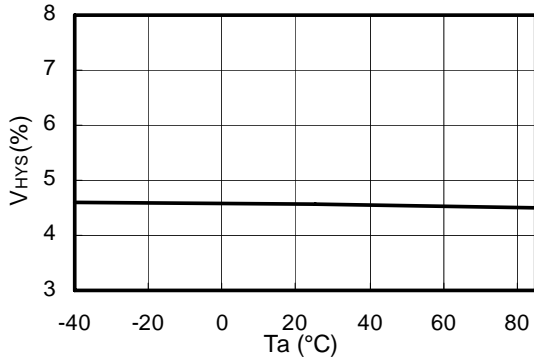


S-80960CN

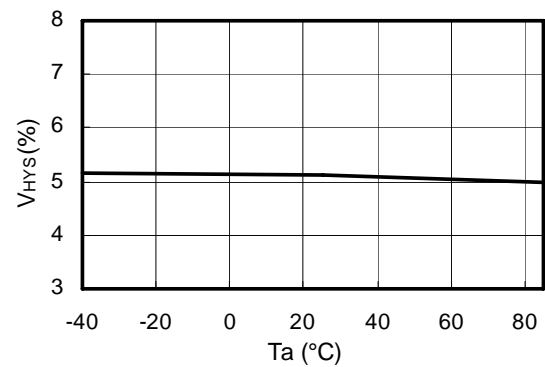


**2. Hysteresis Voltage Width ( $V_{HYS}$ ) - Temperature ( $T_a$ )**

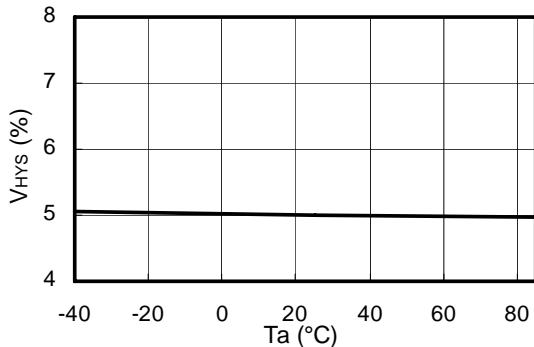
S-80913CN



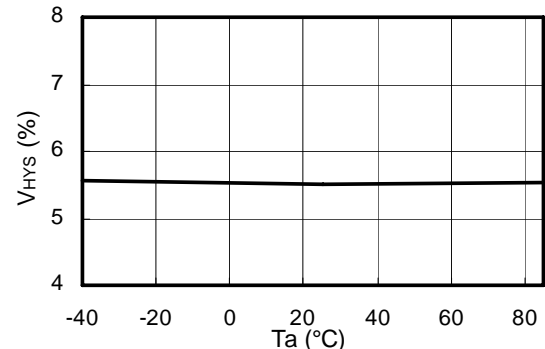
S-80914CN



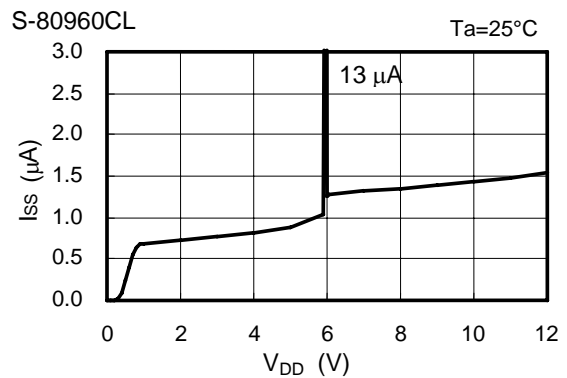
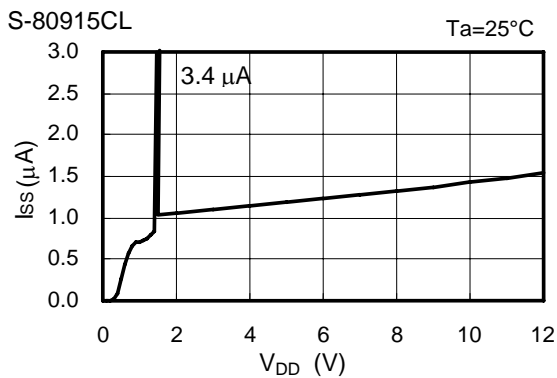
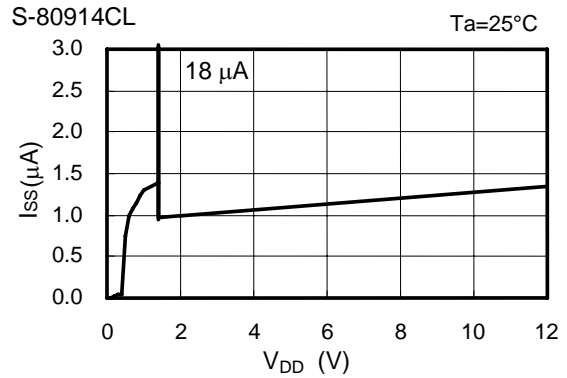
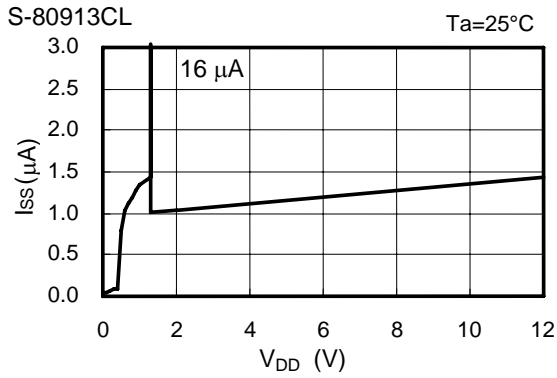
S-80915CN



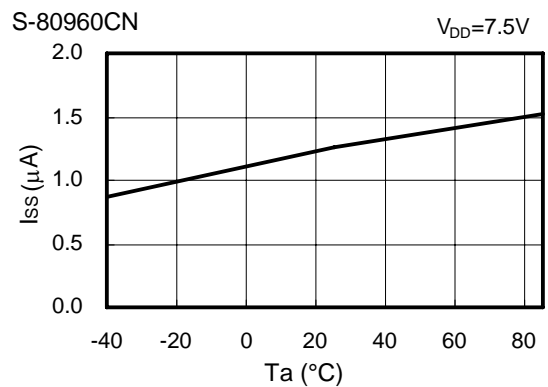
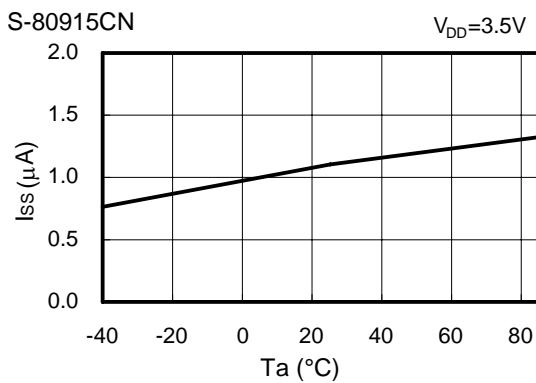
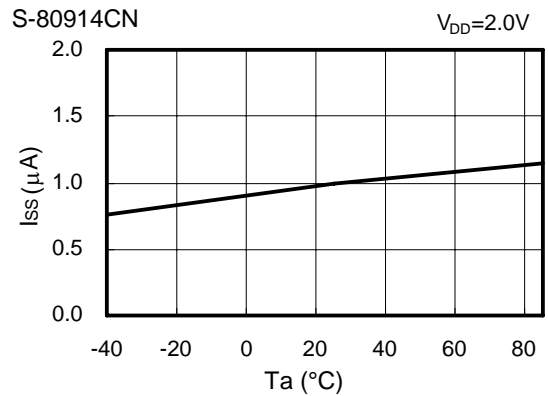
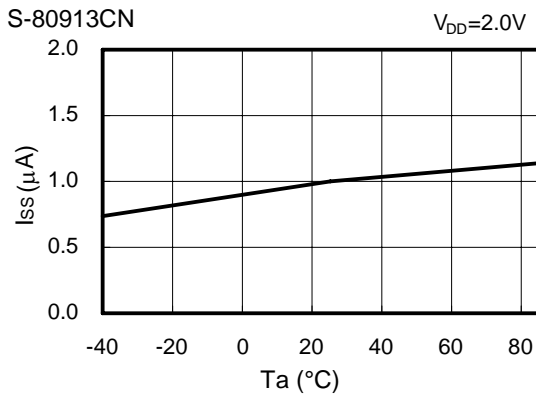
S-80960CN



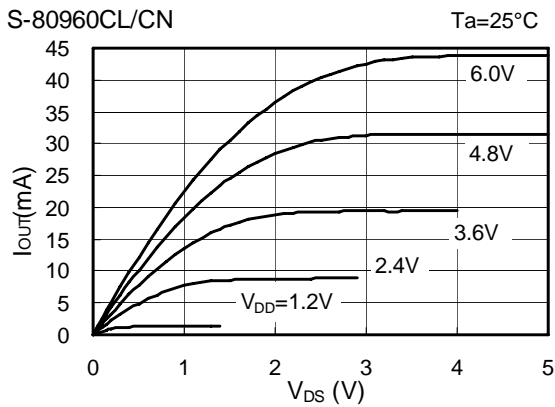
**3. Current Consumption ( $I_{SS}$ ) - Input Voltage ( $V_{DD}$ )**



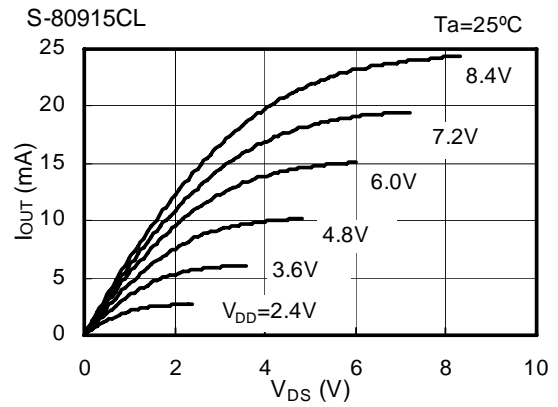
**4. Current Consumption ( $I_{SS}$ ) - Temperature ( $T_a$ )**



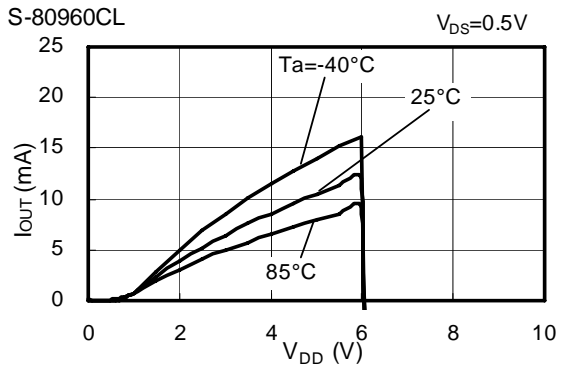
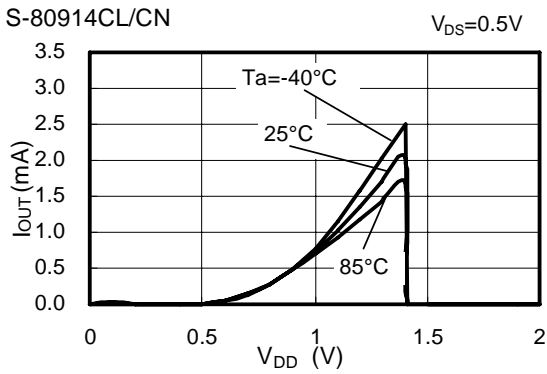
**5. Nch Transistor Output Current ( $I_{OUT}$ ) -  $V_{DS}$**



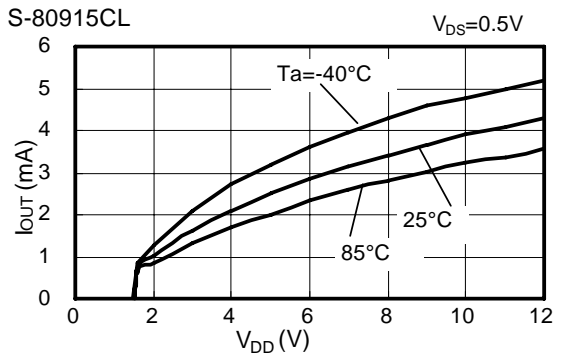
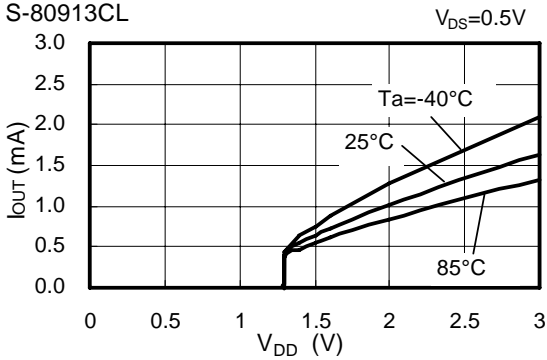
**6. Pch Transistor Output Current ( $I_{OUT}$ ) -  $V_{DS}$**



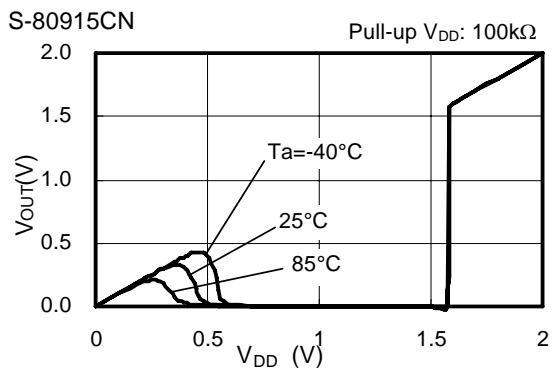
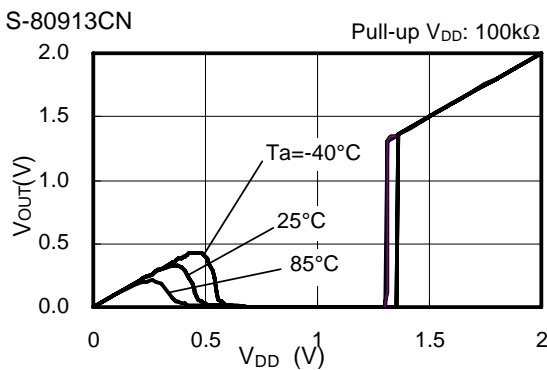
**7. Nch Transistor Output Current ( $I_{OUT}$ ) - Input Voltage ( $V_{DD}$ )**



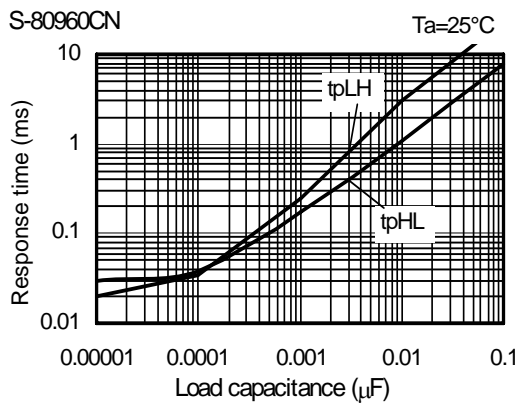
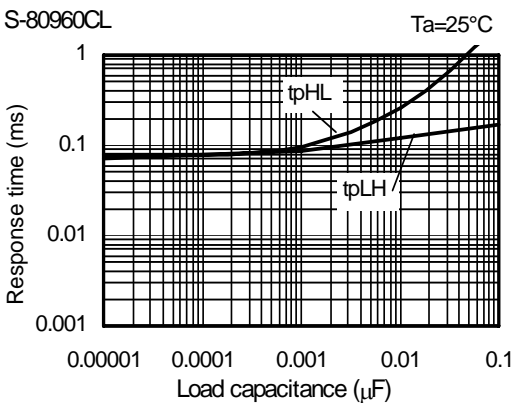
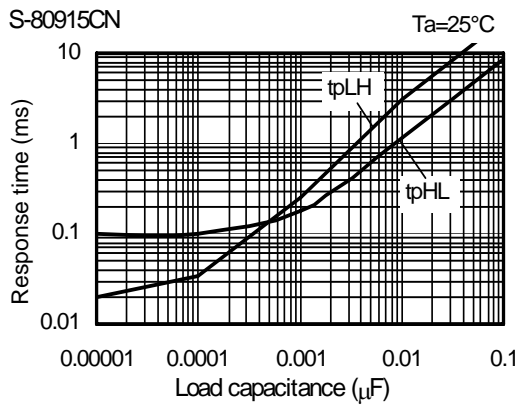
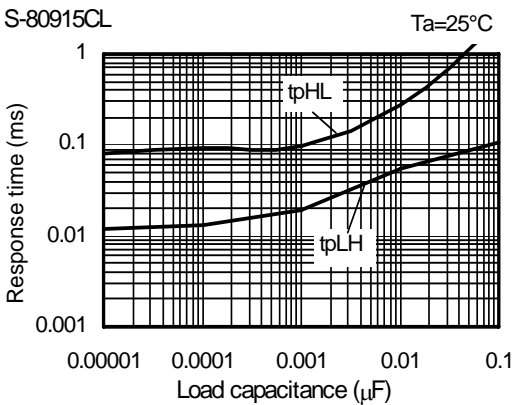
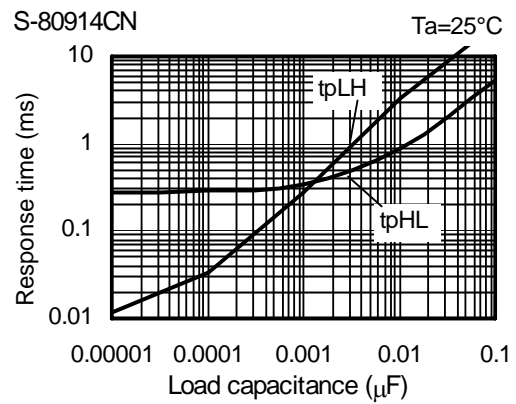
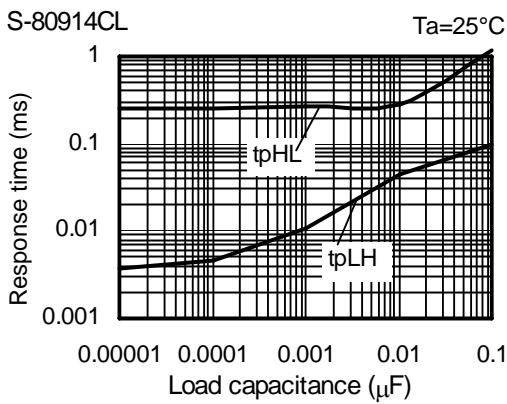
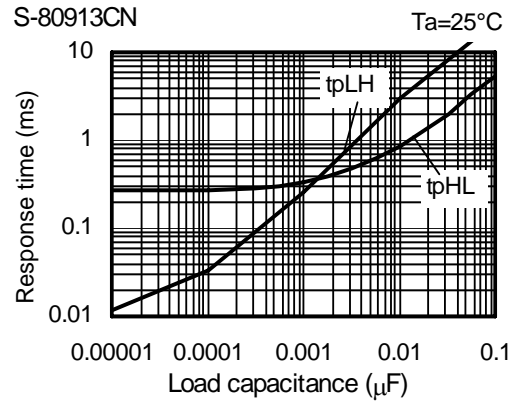
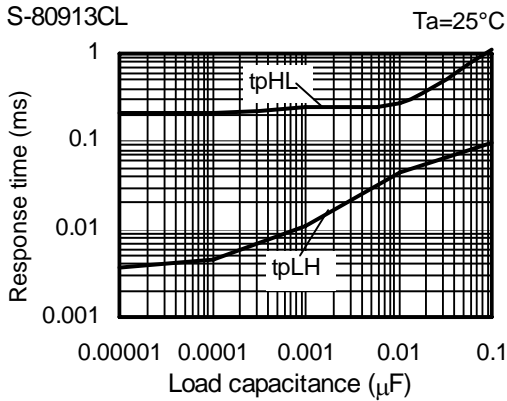
**8. Pch Transistor Output Current ( $I_{OUT}$ ) - Input Voltage ( $V_{DD}$ )**

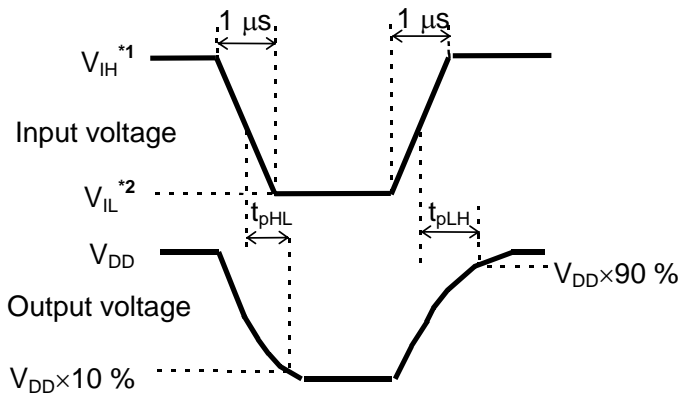


**9. Minimum Operating Voltage - Input Voltage ( $V_{DD}$ )**



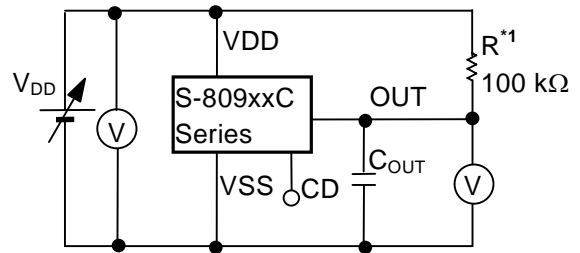
**10. Dynamic Response - C<sub>OUT</sub> (CD pin; open)**





- \*1.  $V_{IH}=10\text{ V}$
- \*2.  $V_{IL}=0.7\text{ V}$

Figure 23 Measurement Condition for Response Time

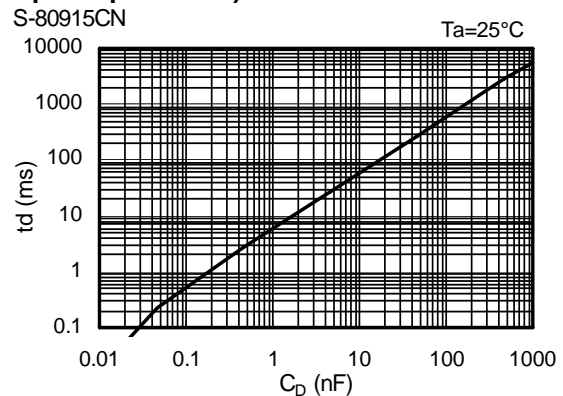
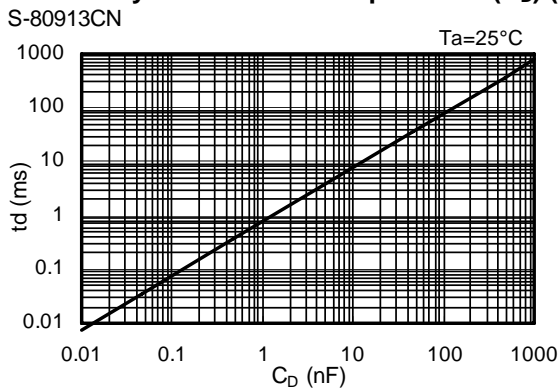


- \*1. R is unnecessary for CMOS output products.

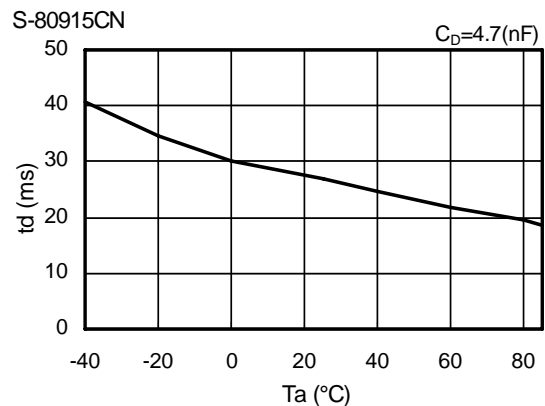
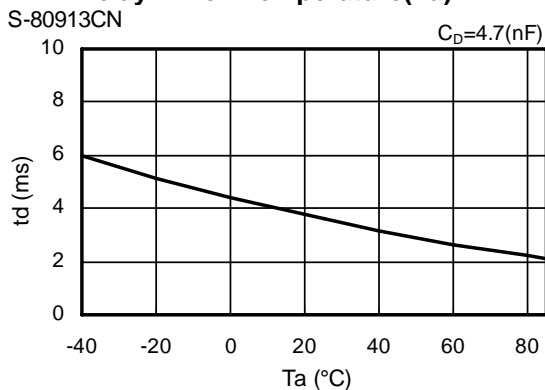
Figure 24 Measurement Circuit for Response Time

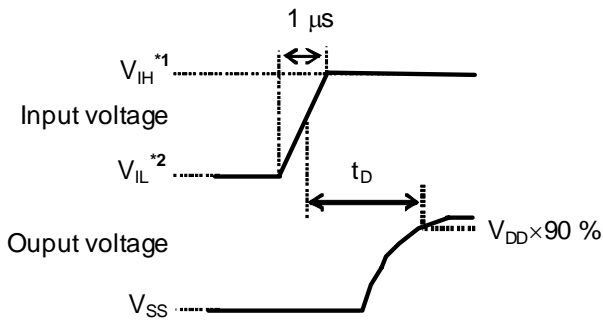
**Caution** The above connection diagram and constant will not guarantees successful operation.  
 Perform through evaluation using the actual application to set the constant.

**11. Delay Time - CD Pin Capacitance( $C_D$ ) ( No output pin capacitance)**



**12. Delay Time - Temperature( $T_a$ )**





\*1.  $V_{IH}=10V$   
 \*2.  $V_{IL}=0.7V$

Figure 25 Measuring Conditions of Delay Time

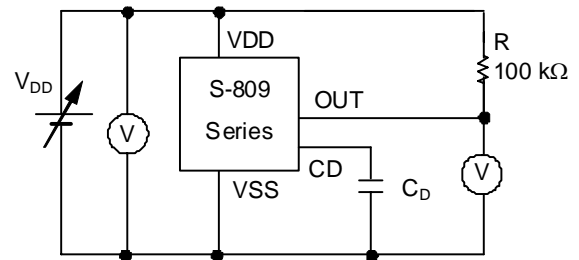


Figure 26 Measurement Circuit for Delay Time

**Caution** The above connection diagram and constant will not guarantees successful operation. Perform through evaluation using the actual application to set the constant.

## Application Circuit Examples

### 1. Microcomputer Reset Circuits

If the power supply voltage to a microcomputer falls below the specified level, an unspecified operation may be performed or the contents of the memory register may be lost. When power supply voltage returns to normal, the microcomputer needs to be initialized before normal operations can be done. Reset circuits protect microcomputers in the event of current being momentarily switched off or lowered. Reset circuits shown in **Figures 27 to 28** can be easily constructed with the help of the S-809xxC Series that has a low operating voltage, a high-precision detection voltage, hysteresis and the reset circuits.

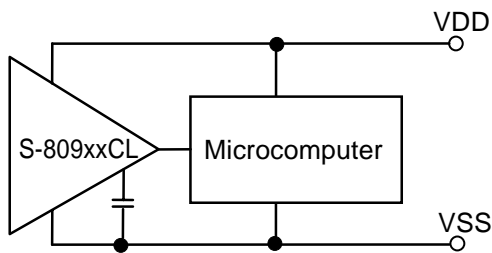
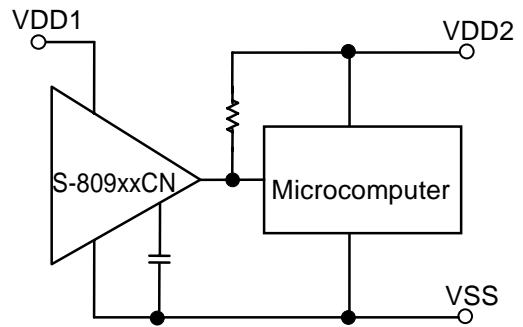


Figure 27 Example for Reset Circuits(S-809xxCL)



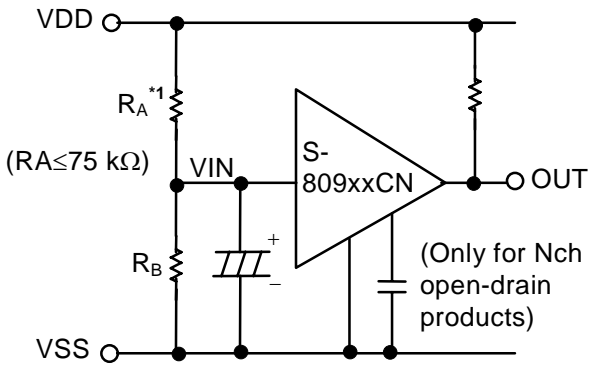
Only for Nch open-drain products.

Figure 28 Example for Reset Circuits(S-809xxCN)

**Caution** The above connection diagram and constant will not guarantees successful operation. Perform through evaluation using the actual application to set the constant.

**2. Change of Detection Voltage**

In Nch open-drain output products of the S-809xxC Series, detection voltage can be changed using resistance dividers or diodes as shown in **Figures 29 to 30**. In **Figure 29**, hysteresis width also changes.



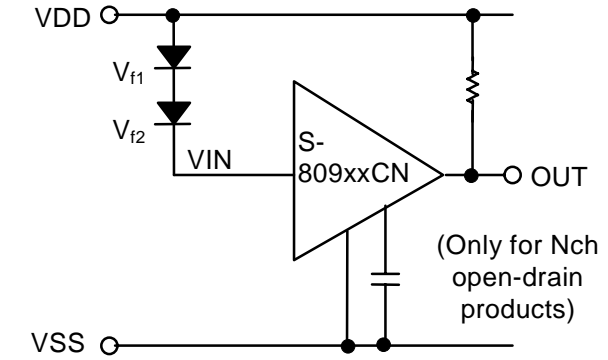
$$\text{Detection voltage} = \frac{R_A + R_B}{R_B} \cdot -V_{DET}$$

$$\text{Hysteresis width} = \frac{R_A + R_B}{R_B} \cdot V_{HYS}$$

\*1.  $R_A$  should be 75 kΩ or less to prevent oscillation.

**Caution** If  $R_A$  and  $R_B$  are large, the hysteresis width may also be larger than the value given by the above equation due to through-type current (which flows slightly in an Nch open-drain products).

Figure 29

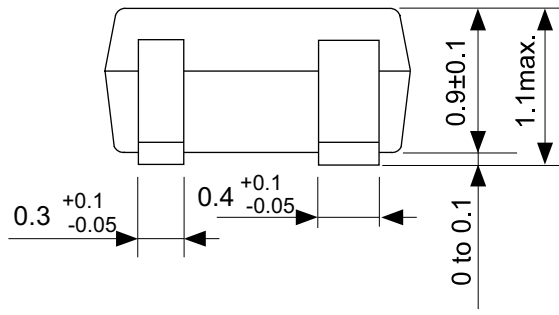
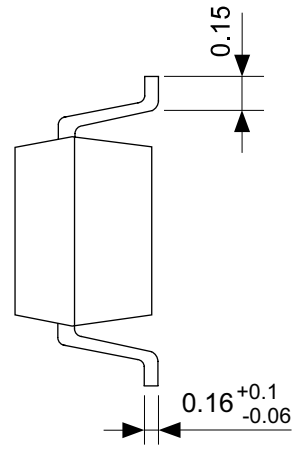
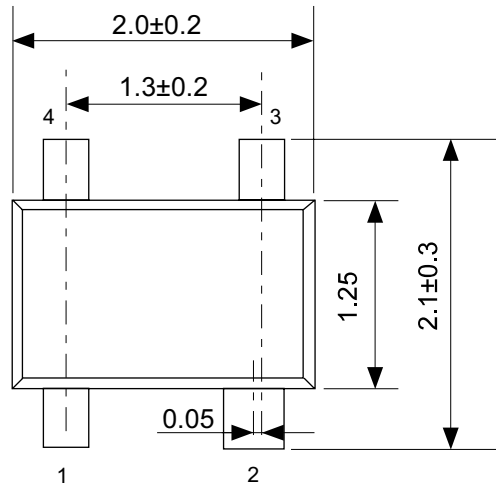


$$\text{Detection voltage} = V_{f1} + V_{f2} + (-V_{DET})$$

Figure 30

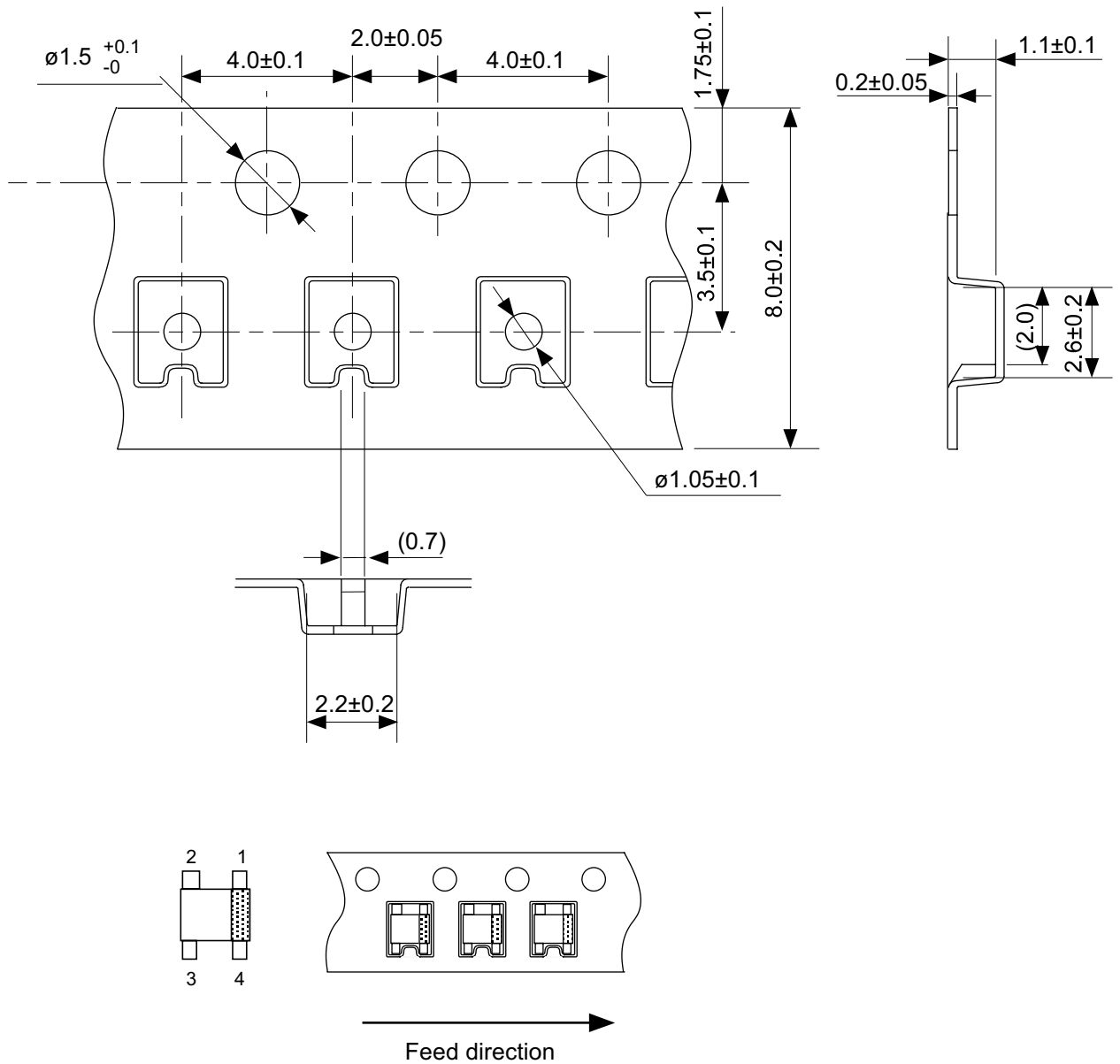
**Caution** The above connection diagram and constant will not guarantees successful operation. Perform through evaluation using the actual application to set the constant.





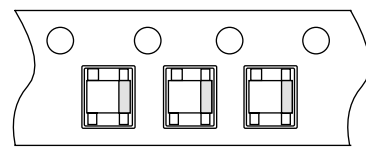
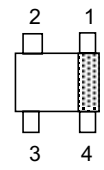
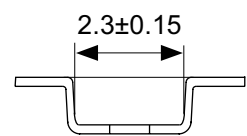
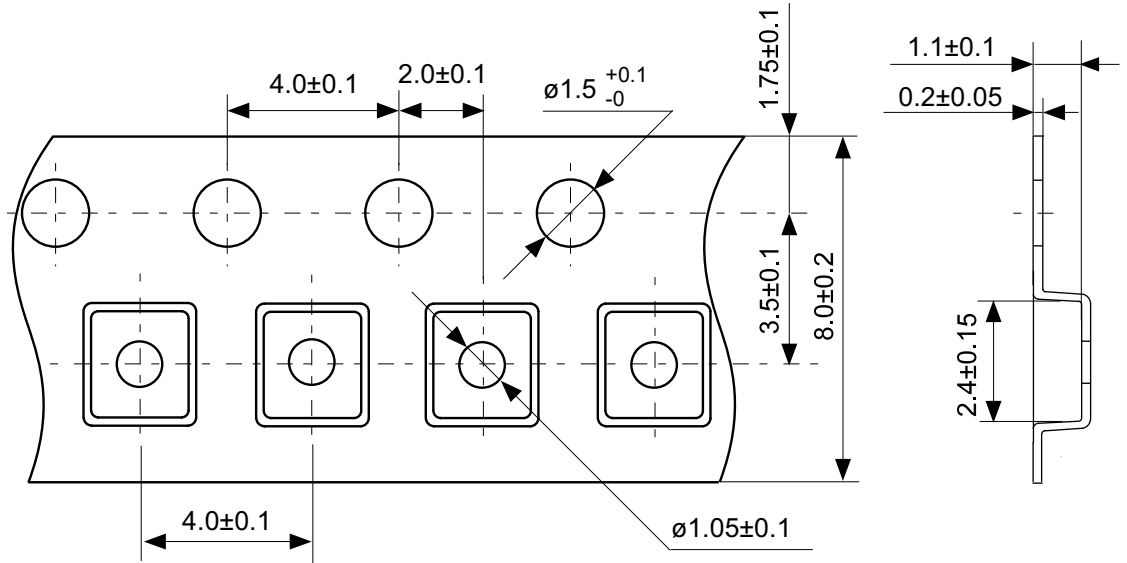
No. NP004-A-P-SD-1.1

TITLE	SC82AB-A-PKG Dimensions
No.	NP004-A-P-SD-1.1
SCALE	
UNIT	mm
Seiko Instruments Inc.	



No. NP004-A-C-SD-3.0

TITLE	SC82AB-A-Carrier Tape
No.	NP004-A-C-SD-3.0
SCALE	
UNIT	mm
Seiko Instruments Inc.	

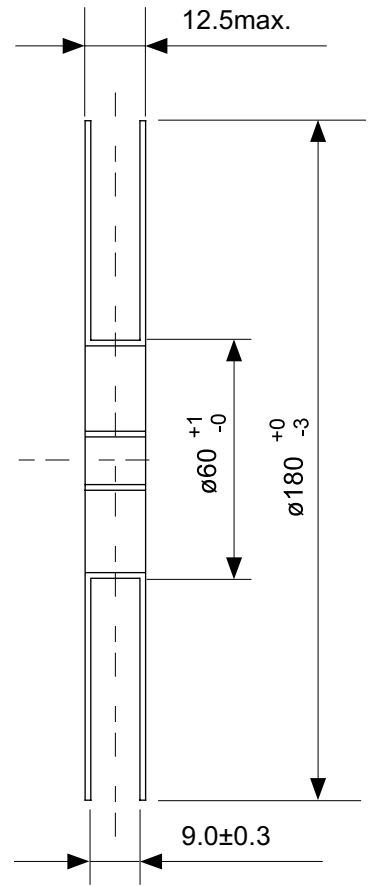
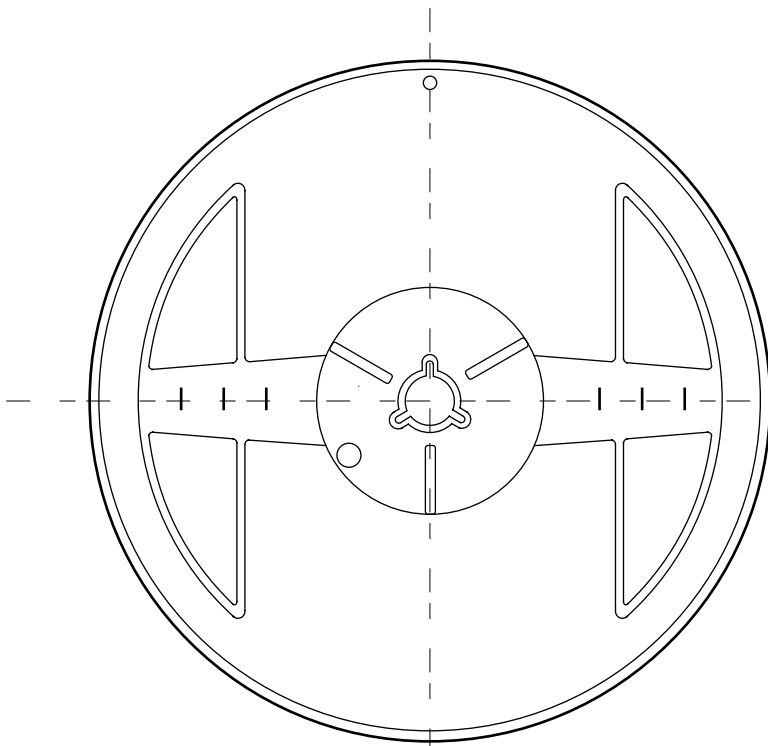


→  
Feed direction

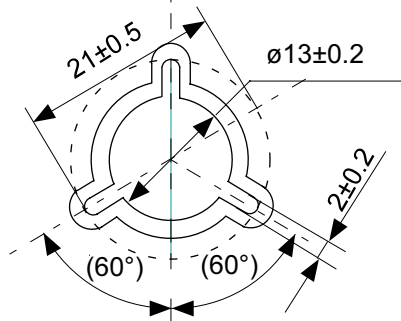
No. NP004-A-C-S1-2.0

TITLE	SC82AB-A-Carrier Tape
No.	NP004-A-C-S1-2.0
SCALE	
UNIT	mm

Seiko Instruments Inc.

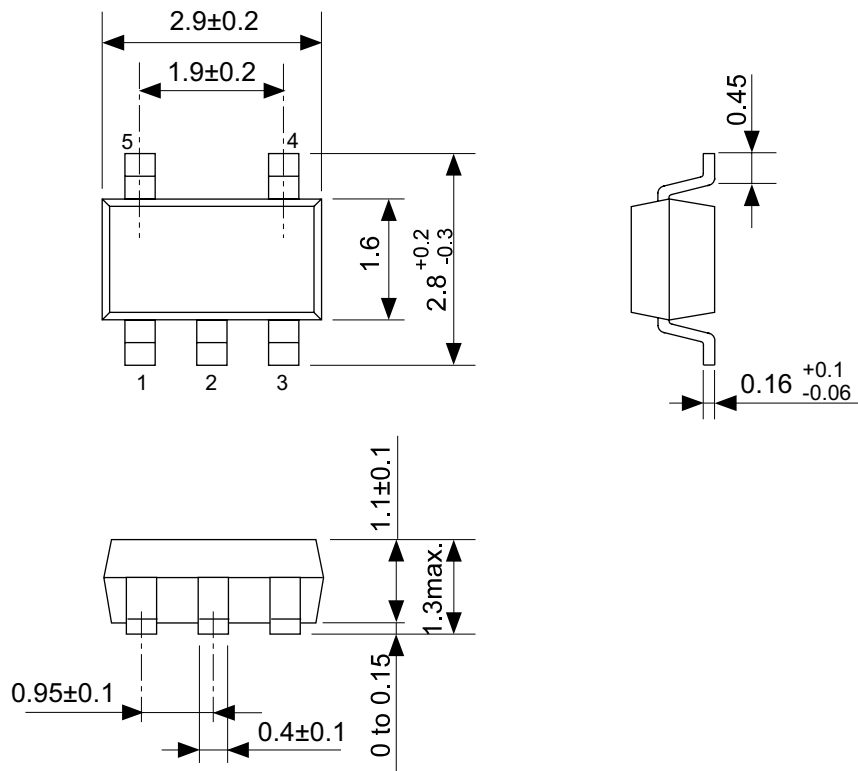


Enlarged drawing in the central part



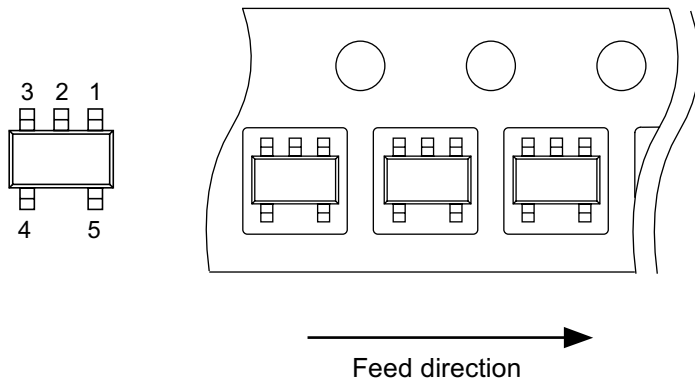
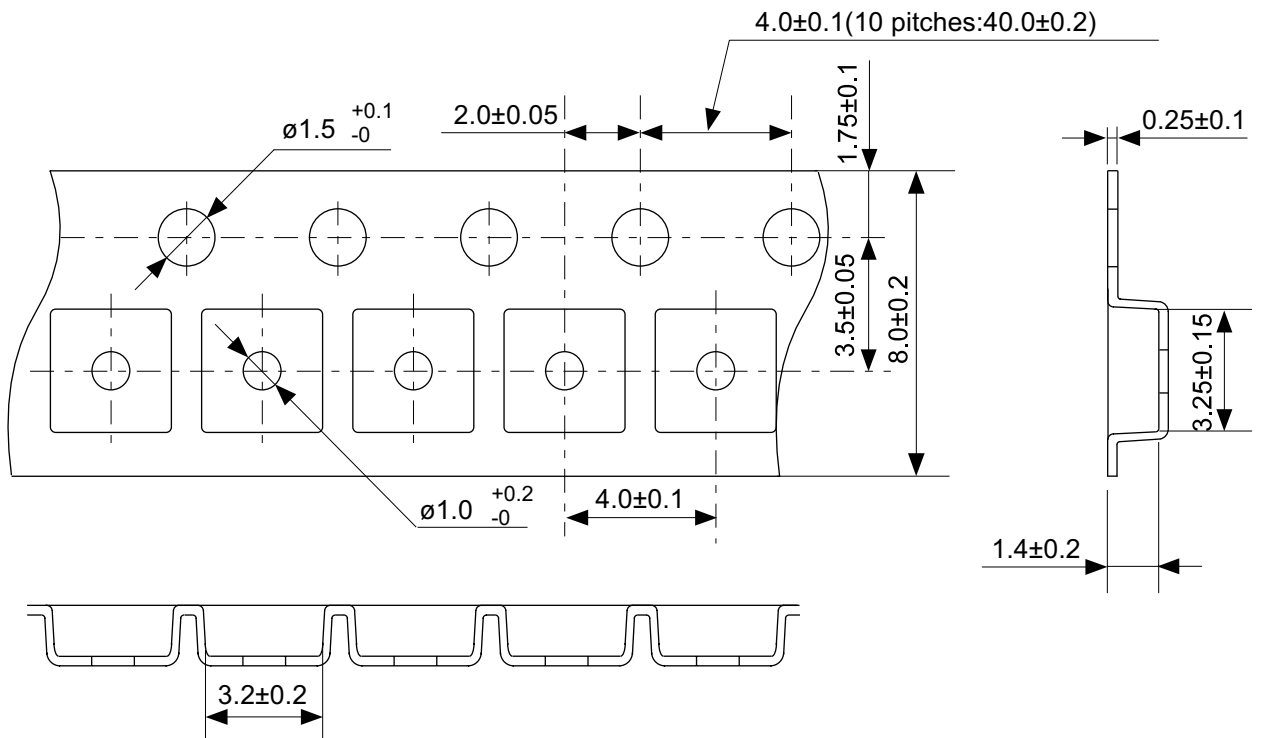
No. NP004-A-R-SD-1.1

TITLE	SC82AB-A-Reel		
No.	NP004-A-R-SD-1.1		
SCALE		QTY.	3,000
UNIT	mm		
Seiko Instruments Inc.			



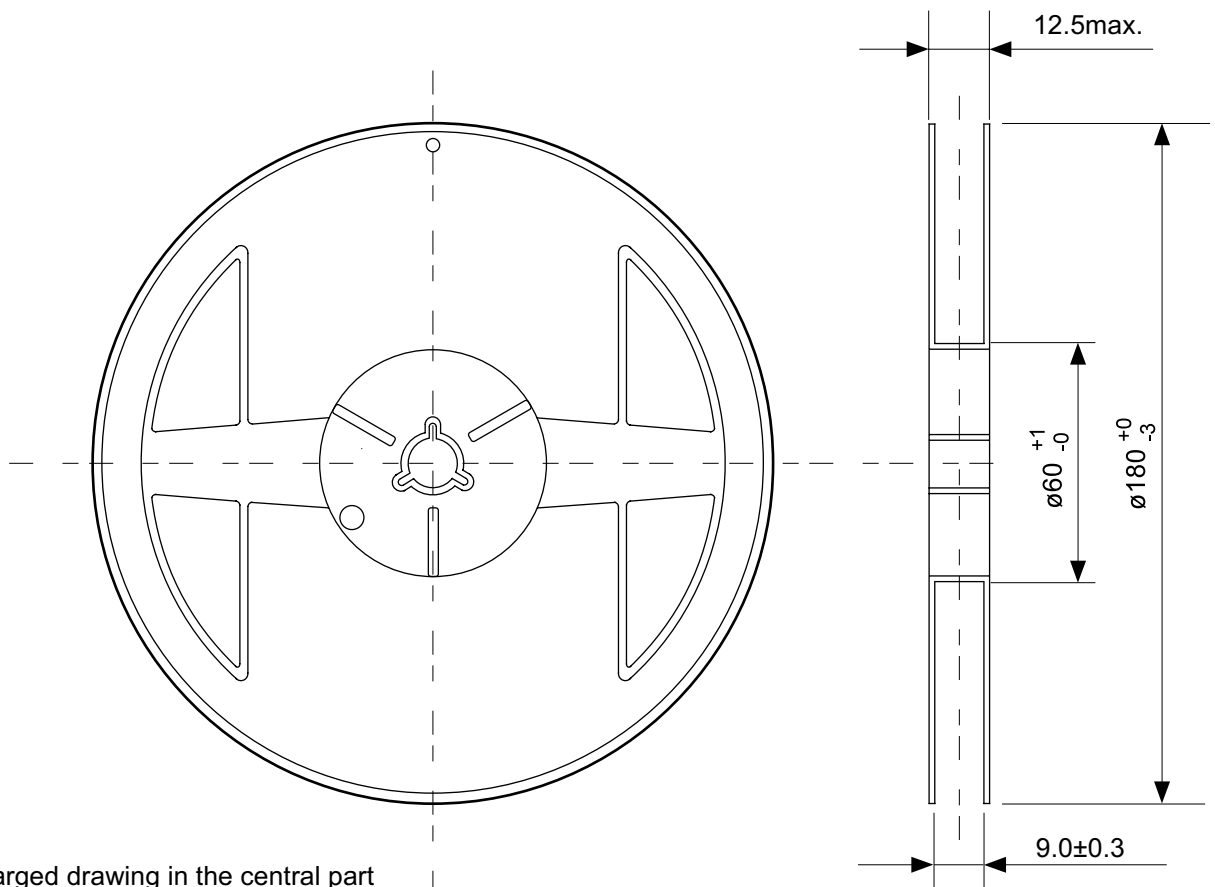
No. MP005-A-P-SD-1.2

TITLE	SOT235-A-PKG Dimensions
No.	MP005-A-P-SD-1.2
SCALE	
UNIT	mm
Seiko Instruments Inc.	

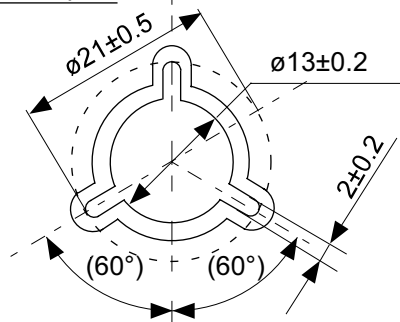


No. MP005-A-C-SD-2.1

TITLE	SOT235-A-Carrier Tape
No.	MP005-A-C-SD-2.1
SCALE	
UNIT	mm
Seiko Instruments Inc.	

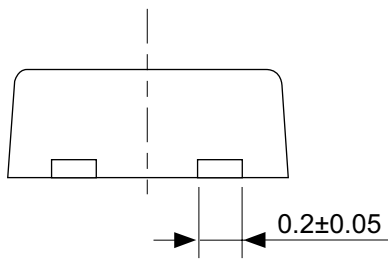
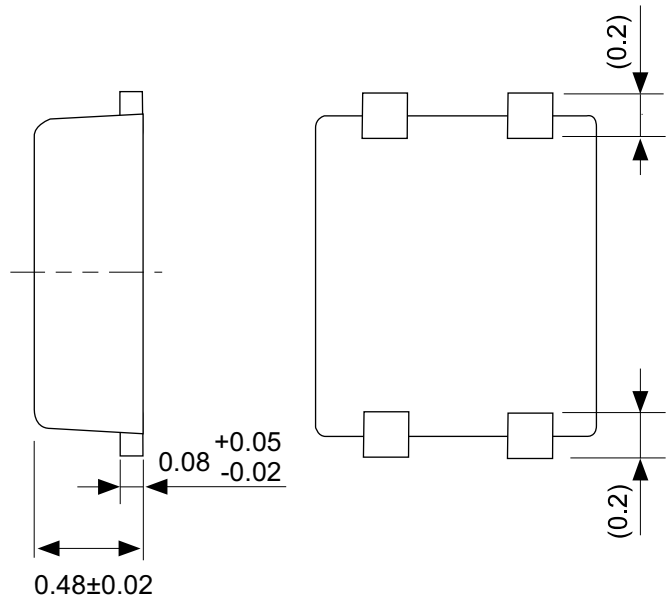
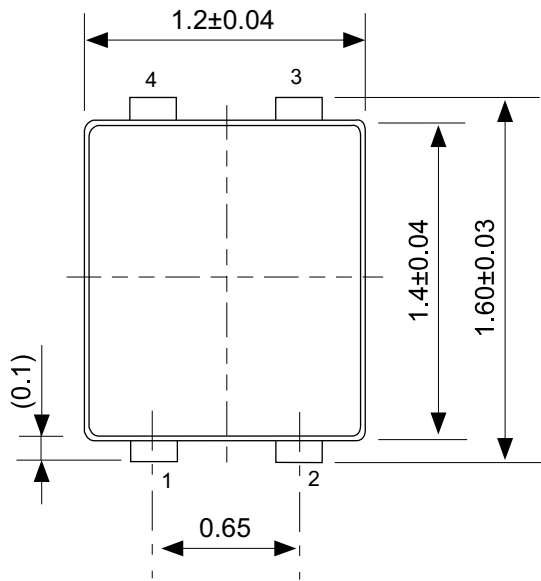


Enlarged drawing in the central part



No. MP005-A-R-SD-1.1

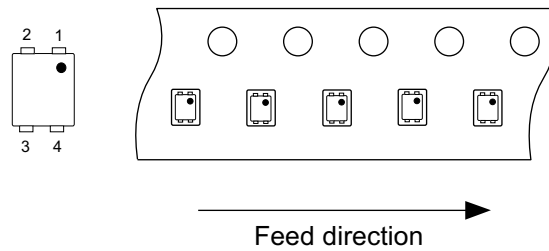
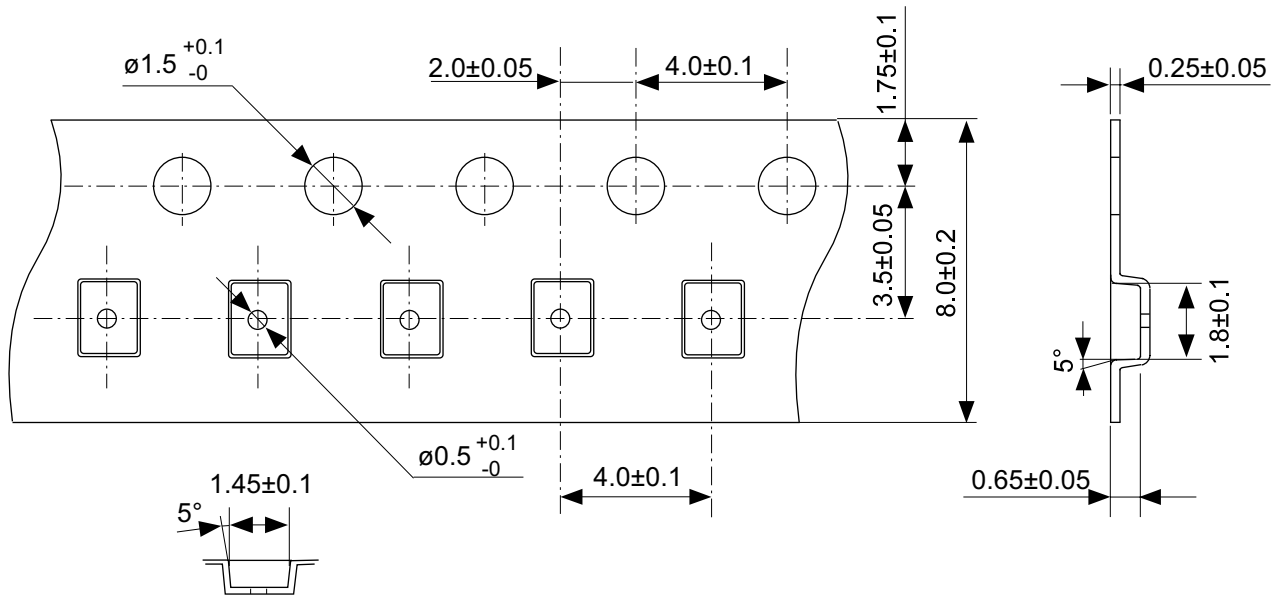
TITLE	SOT235-A-Reel		
No.	MP005-A-R-SD-1.1		
SCALE		QTY.	3,000
UNIT	mm		
Seiko Instruments Inc.			



No. PF004-A-P-SD-4.0

TITLE	SNT-4A-A-PKG Dimensions
No.	PF004-A-P-SD-4.0
SCALE	
UNIT	mm
Seiko Instruments Inc.	





No. PF004-A-C-SD-1.0

TITLE	SNT-4A-A-Carrier Tape
No.	PF004-A-C-SD-1.0
SCALE	
UNIT	mm
Seiko Instruments Inc.	

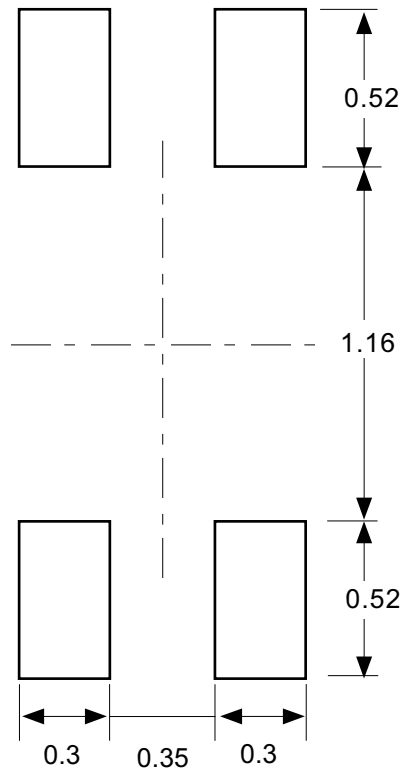


Enlarged drawing in the central part



No. PF004-A-R-SD-1.0

TITLE	SNT-4A-A-Reel		
No.	PF004-A-R-SD-1.0		
SCALE		QTY.	5,000
UNIT	mm		
Seiko Instruments Inc.			



Caution Making the wire pattern under the package is possible. However, note that the package may be upraised due to the thickness made by the silk screen printing and of a solder resist on the pattern because this package does not have the standoff.

注意 パッケージ下への配線パターン形成は可能ですが、本パッケージはスタンドオフが無いので、パターン上のレジスト厚み、シルク印刷の厚みによってパッケージが持ち上がる場合がありますのでご配慮ください。

No. PF004-A-L-SD-3.0

TITLE	SNT-4A-A-Land Recommendation
No.	PF004-A-L-SD-3.0
SCALE	
UNIT	mm
Seiko Instruments Inc.	

- The information described herein is subject to change without notice.
- Seiko Instruments Inc. is not responsible for any problems caused by circuits or diagrams described herein whose related industrial properties, patents, or other rights belong to third parties. The application circuit examples explain typical applications of the products, and do not guarantee the success of any specific mass-production design.
- When the products described herein are regulated products subject to the Wassenaar Arrangement or other agreements, they may not be exported without authorization from the appropriate governmental authority.
- Use of the information described herein for other purposes and/or reproduction or copying without the express permission of Seiko Instruments Inc. is strictly prohibited.
- The products described herein cannot be used as part of any device or equipment affecting the human body, such as exercise equipment, medical equipment, security systems, gas equipment, or any apparatus installed in airplanes and other vehicles, without prior written permission of Seiko Instruments Inc.
- Although Seiko Instruments Inc. exerts the greatest possible effort to ensure high quality and reliability, the failure or malfunction of semiconductor products may occur. The user of these products should therefore give thorough consideration to safety design, including redundancy, fire-prevention measures, and malfunction prevention, to prevent any accidents, fires, or community damage that may ensue.