

Using breakthrough technology,
we aim for products that will create new markets.

New Product News

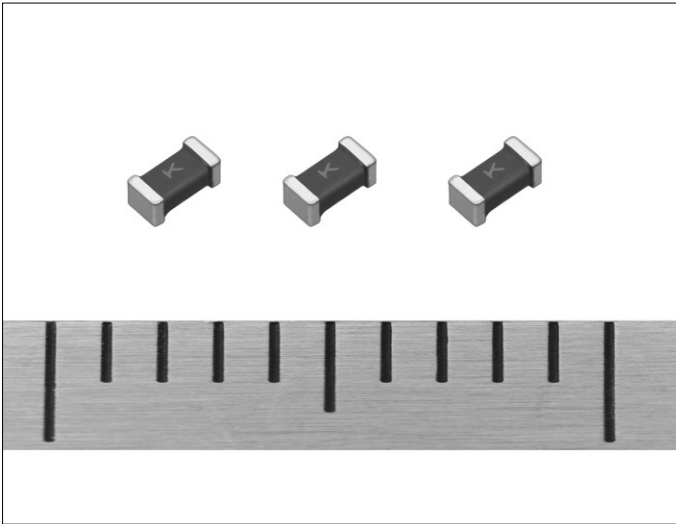
New entry, Business magnification

Surface Mount Typed Fuse

Micro Chip Fuse (Circuit Protector)

Industry/Field: AV, OA / Information,
Mobile Communication, Amusement

Small surface typed fuse with sharp fusing characteristics



Development Target:

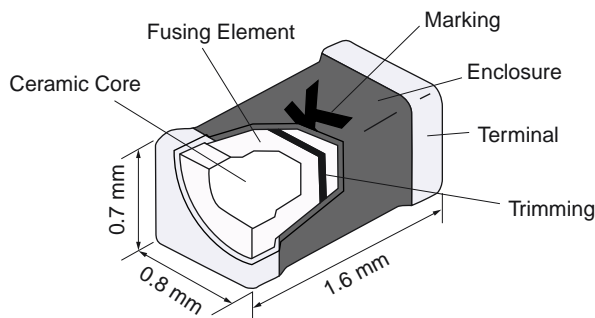
Small surface typed safety device for information products and portable electronic equipments

Features:

- 1 Small size (0603) and light weight
- 2 Sharp fusing characteristics (Very fast acting)
- 3 Pb free

Number of industrial property rights: 5

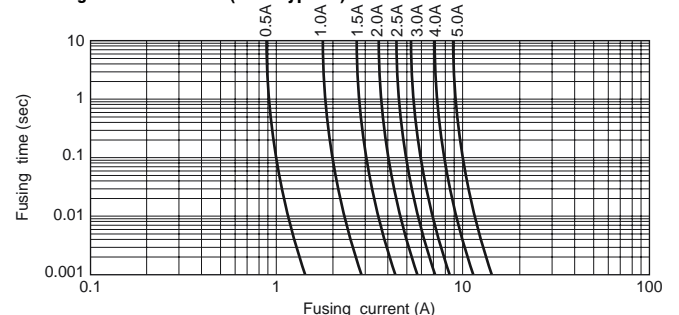
Construction:



Characteristics/specifications:

| Type | ERBFEO00U | | | | | | | |
|--|--|------|------|------|--------|------|------|------|
| | 0R50 | 1R00 | 1R50 | 2R00 | 2R50 | 3R00 | 4R00 | 5R00 |
| Rated Current (A) | 0.5 | 1.0 | 1.5 | 2.0 | 2.5 | 3.0 | 4.0 | 5.0 |
| Marking | F | H | K | N | O | P | S | T |
| Internal R. (mohm) max. at 25°C | 330 | 120 | 70 | 50 | 38 | 31 | 22 | 17 |
| Fusing Current /Fusing Time (at 25°C) | 100% rated current / 4 hours, min. 200% rated current / 1 sec., max. 300% rated current / 0.2 sec., max. | | | | | | | |
| Rated Voltage (Open Circuit Voltage) | 32 VDC | | | | 24 VDC | | | |
| Category Temp. Range (Operating Temp. Range) | -40°C to +125°C | | | | | | | |

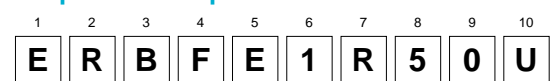
Fusing Characteristics (25°C typical)



Applications/usage examples:

- PC and Peripherals
- Mobile Phone
- Battery Pack
- Game Machine

Explanation of part numbers:



Product Item code Form Rated current
1R50 = 1.50A Packaging