

XC74WL32AASR

ETR1316_001

CMOS Logic

■ GENERAL DESCRIPTION

XC74WL32AASR is dual 2-input OR gate manufactured using silicon gate CMOS processes. The small supply current, which is one of the features of the CMOS logic, gives way to high speed operations which enables LS-TTL.

With wave forming buffers connected internally, stabilized output can be achieved as the series offers high noise immunity.

As the series is integrated into a mini molded, MSOP-8B package, high density mounting is possible.

■ APPLICATIONS

- Palmtops
- Digital equipment

■ FEATURES

High Speed Operations : tpd = 3.8ns(TYP.)(Vcc=5V)

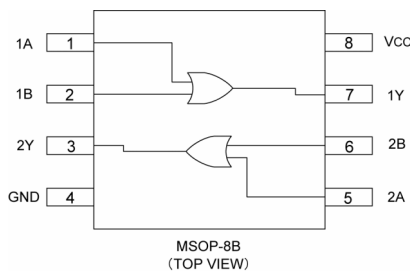
Operating Voltage Range : 2V ~ 5.5V

Low Power Consumption : 1 μ A (MAX.)@Ta=25°C

CMOS Logic Dual 2- Input OR GATE

Small Package : MSOP-8B

■ PIN CONFIGURATION



■ FUNCTIONS

| INPUT | | OUTPUT |
|-------|---|--------|
| A | B | Y |
| H | H | H |
| H | L | H |
| L | H | H |
| L | L | L |

H=High level

L=Low level

■ ABSOLUTE MAXIMUM RATINGS

Ta=-40°C~85°C

| PARAMETER | SYMBOL | RATINGS | UNITS |
|-------------------------------|----------|--------------|-------|
| Power Supply Voltage | Vcc | -0.5~+6.0 | V |
| Input Voltage | VIN | -0.5~+6.0 | V |
| Output Voltage | VOU | -0.5~Vcc+0.5 | V |
| Input Diode Current | IiK | -20 | mA |
| Output Diode Current | Iok | ±20 | mA |
| Output Current | IOUT | ±25 | mA |
| Vcc,GND Current | Icc,IgND | ±50 | mA |
| Power Dissipation (Ta = 25°C) | Pd | 300 | mW |
| Storage Temperature Range | Tstg | -65~+150 | °C |

Note : Voltage is all ground standardized.

RECOMMENDED OPERATING CONDITIONS

| PARAMETER | SYMBOL | CONDITIONS | UNITS |
|-----------------------------|------------------|-------------------------------|-------|
| Supply Voltage | V _{CC} | 2~5.5 | V |
| Input Voltage | V _{IN} | 0~5.5 | V |
| Output Voltage | V _{OUT} | 0~ V _{CC} | V |
| Operating Temperature Range | T _{opr} | -40~+85 | °C |
| Input Rise and Fall Time | tr,tf | 0~200 (V _{CC} =3.3V) | ns |
| | | 0~100 (V _{CC} =5V) | |

DC ELECTRICAL CHARACTERISTICS

| PARAMETER | SYMBOL | V _{CC} (V) | CONDITIONS | Ta=25°C | | | Ta=-40°C~85°C | | UNITS | |
|-----------------------|-----------------|---------------------|---|-------------------------|------|------|---------------|------|-------|---|
| | | | | MIN. | TYP. | MAX. | MIN. | MAX. | | |
| Input Voltage | V _{IH} | 2.0 | | 1.5 | — | — | 1.5 | — | V | |
| | | 3.0 | | 2.1 | — | — | 2.1 | — | | |
| | | 5.5 | | 3.85 | — | — | 3.85 | — | | |
| | V _{IL} | 2.0 | | — | — | 0.5 | — | 0.5 | V | |
| | | 3.0 | | — | — | 0.9 | — | 0.9 | | |
| | | 5.5 | | — | — | 1.65 | — | 1.65 | | |
| Output Voltage | V _{OH} | 2.0 | V _{IN} =V _{IL} or V _{IH} | I _{OH} =-50 μA | 1.9 | 2.0 | — | 1.9 | — | V |
| | | 3.0 | | | 2.9 | 3.0 | — | 2.9 | — | |
| | | 4.5 | | | 4.4 | 4.5 | — | 4.4 | — | |
| | | 3.0 | | | 2.58 | — | — | 2.48 | — | |
| | | 4.5 | | | 3.94 | — | — | 3.80 | — | |
| | V _{OL} | 2.0 | V _{IN} =V _{IL} | I _{OL} =50 μA | — | — | 0.1 | — | 0.1 | V |
| | | 3.0 | | | — | — | 0.1 | — | 0.1 | |
| | | 4.5 | | | — | — | 0.1 | — | 0.1 | |
| | | 3.0 | | | — | — | 0.36 | — | 0.44 | |
| | | 4.5 | | | — | — | 0.36 | — | 0.44 | |
| Input Current | I _{IN} | 0~5.5 | V _{IN} =V _{CC} or GND | -0.1 | — | 0.1 | -1.0 | 1.0 | μA | |
| Static Supply Current | I _{CC} | 5.5 | V _{IN} =V _{CC} or GND, I _{OUT} =0 μA | — | — | 1.0 | — | 10.0 | μA | |

SWITCHING ELECTRICAL CHARACTERISTICS

(tr=tf=3ns)

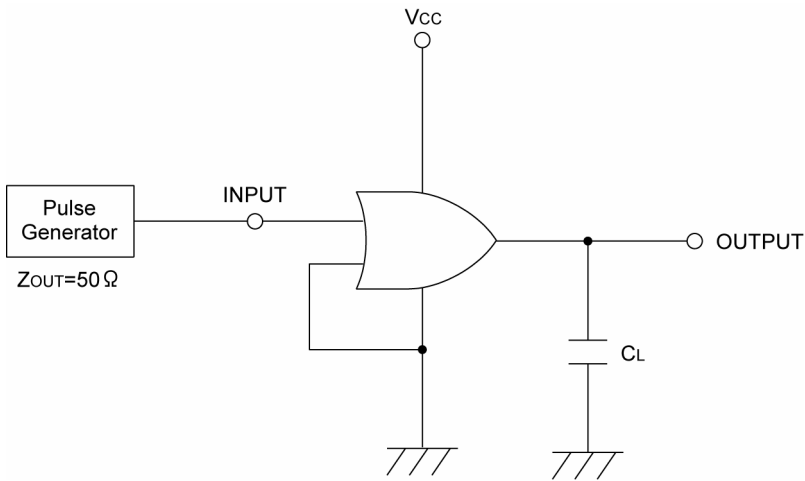
| PARAMETER | SYMBOL | CL | V _{CC} (V) | CONDITIONS | Ta=25°C | | | Ta=-40°C~85°C | | UNITS |
|-------------------------------|------------------|-----------------|---------------------|---|---------|------|------|---------------|------|-------|
| | | | | | MIN. | TYP. | MAX. | MIN. | MAX. | |
| Delay Time | t _{PLH} | 15pF | 3.3 | | — | 5.5 | 7.9 | 1.0 | 9.5 | ns |
| | | | 5.0 | | — | 3.8 | 5.5 | 1.0 | 6.5 | |
| | | 50pF | 3.3 | | — | 8 | 11.4 | 1.0 | 13 | ns |
| | | | 5.0 | | — | 5.3 | 7.5 | 1.0 | 8.5 | |
| | t _{PHL} | 15pF | 3.3 | | — | 5.5 | 7.9 | 1.0 | 9.5 | ns |
| | | | 5.0 | | — | 3.8 | 5.5 | 1.0 | 6.5 | |
| | | 50pF | 3.3 | | — | 8 | 11.4 | 1.0 | 13 | ns |
| | | | 5.0 | | — | 5.3 | 7.5 | 1.0 | 8.5 | |
| Input Capacitance | C _{IN} | — | 5.0 | V _{IN} =V _{CC} or GND | — | 2 | 10 | — | 10 | pF |
| Power Dissipation Capacitance | C _{pd} | No Load, f=1MHz | | | — | 8.9 | — | — | — | pF |

NOISE CHARACTERISTICS

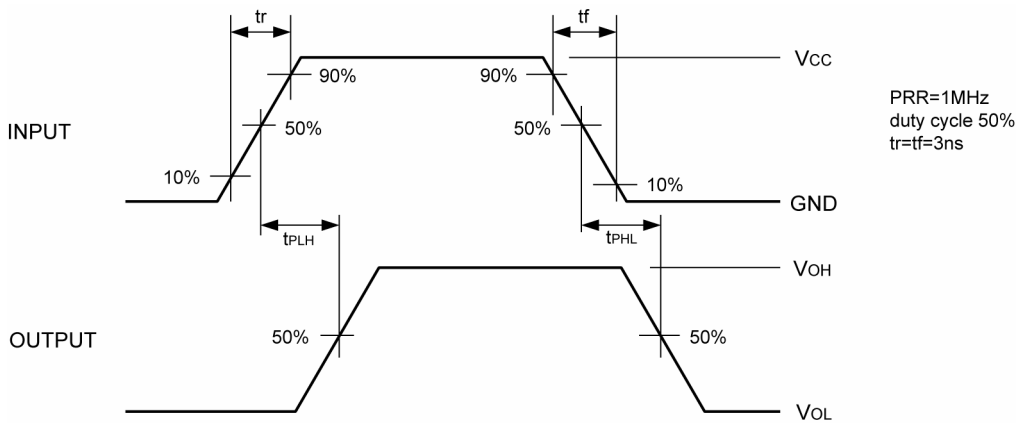
(tr=tf=3ns)

| PARAMETER | SYMBOL | | | CONDITIONS | Ta=25°C | | | UNITS |
|---|--------|------|--------|------------|---------|------|------|-------|
| | | CL | Vcc(V) | | MIN. | TYP. | MAX. | |
| Non Functional Output Maximum Dynamic VOL | VolP | 50pF | 5.0 | | – | 0.3 | 0.8 | V |
| Non Functional Output Minimum Dynamic VOL | VolV | 50pF | 5.0 | | -0.8 | -0.3 | – | V |
| Minimum Dynamic VIH | VIHD | 50pF | 5.0 | | – | – | 3.5 | V |
| Maximum Dynamic VIL | VILD | 50pF | 5.0 | | – | – | 1.5 | V |

TEST CIRCUIT



WAVEFORM



1. The products and product specifications contained herein are subject to change without notice to improve performance characteristics. Consult us, or our representatives before use, to confirm that the information in this catalog is up to date.
2. We assume no responsibility for any infringement of patents, patent rights, or other rights arising from the use of any information and circuitry in this catalog.
3. Please ensure suitable shipping controls (including fail-safe designs and aging protection) are in force for equipment employing products listed in this catalog.
4. The products in this catalog are not developed, designed, or approved for use with such equipment whose failure of malfunction can be reasonably expected to directly endanger the life of, or cause significant injury to, the user.
(e.g. Atomic energy; aerospace; transport; combustion and associated safety equipment thereof.)
5. Please use the products listed in this catalog within the specified ranges.
Should you wish to use the products under conditions exceeding the specifications, please consult us or our representatives.
6. We assume no responsibility for damage or loss due to abnormal use.
7. All rights reserved. No part of this catalog may be copied or reproduced without the prior permission of Torex Semiconductor Ltd.

TOREX SEMICONDUCTOR LTD.