

SANYO

No.2333B

LA4537M

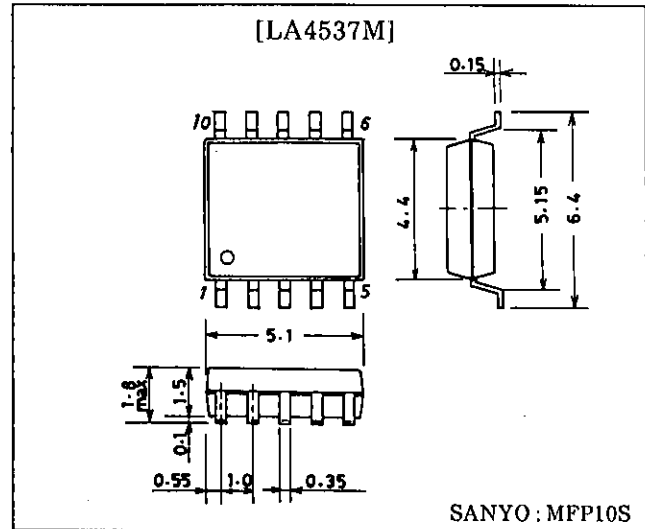
Power Amplifier for 1.5V Headphone Stereos

Features

- Low current consumption.
- 16Ω load drive capability.
- Excellent reduced voltage characteristics.
- Excellent power supply ripple rejection.
- Minimum number of external parts required (no input capacitor, feedback capacitor required).
- Less harmonic interference in radio band.
- On-chip power switch function, muting function.

Package Dimensions

(unit : mm)
3086A-MFP10S



Specifications

Maximum Ratings at Ta = 25°C

Parameter	Symbol	Value	Unit
Maximum Supply Voltage	V _{CC} max	4.5	V
Allowable Power Dissipation	P _d max	300	mW
Operating Temperature	T _{opr}	-20 to +75	°C
Storage Temperature	T _{stg}	-40 to +125	°C

Operating Conditions at Ta = 25°C

Parameter	Symbol	Value	Unit
Recommended Supply Voltage	V _{CC}	1.5	V
Operating Voltage Range	V _{CC} op	0.9 to 4.0	V
Recommended Load Resistance	R _L	16 to 32	Ω

Operating Characteristics at Ta = 25°C, R_L = 16Ω, R_g = 600Ω, See specified Test Circuit.

Parameter	Symbol	Condition	min	typ	max	Unit
Quiescent Current	I _{cco} (1)	V _{CC} = 1.2V, quiescent		3.5	6.0	mA
	I _{cco} (2)	V _{CC} = 2.5V, pin 10 → GND		1.4	2.5	mA
	I _{cco} (3)	V _{CC} = 2.5V, pin 1 → GND			1.0	μA
Voltage Gain	V _G	V _{CC} = 1.2V, f = 1kHz, V _O = -20dBm	28.5	30.0	31.5	dB
Voltage Gain Difference	ΔV _G	V _{CC} = 1.2V, f = 1kHz, V _O = -20dBm			1.0	dB
Total Harmonic Distortion	THD	V _{CC} = 1.2V, f = 1kHz, P _O = 0.5mW		0.5	1.5	%
Output Power	P _O	V _{CC} = 1.5V, f = 1kHz, THD = 10%	5	8		mW
Crosstalk	CT	V _{CC} = 1.2V, f = 100Hz, R _g = 1kΩ	40	45		dB
		V _O = -20dB				
Ripple Rejection	SVRR	V _{CC} = 1.0V, f = 100Hz, R _g = 1kΩ	40	46		dB
		V _R = -30dBm, BPF = 100Hz				

Continued on next page.

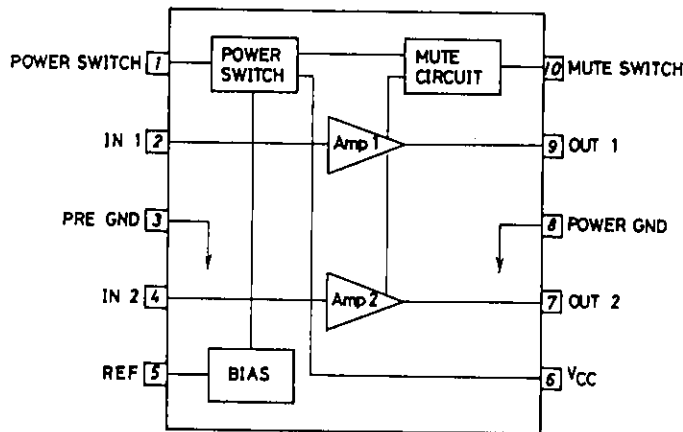
LA4537M

Continued from preceding page.

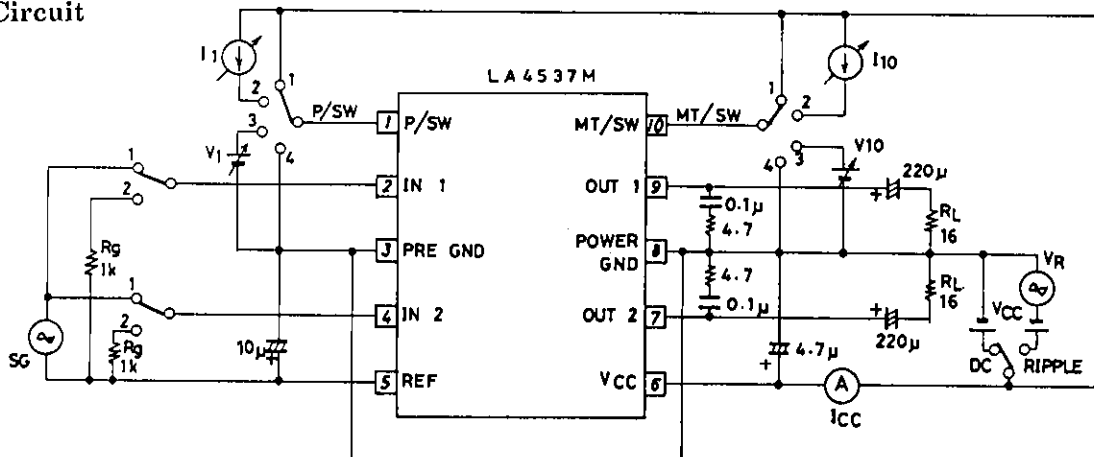
			min	typ	max	Unit
Output Noise Voltage	V_{NO}	$V_{CC}=2.5V, R_g=1k\Omega,$ $BPF=20Hz \text{ to } 20kHz$		55	80	μV
Power ON Current Sensitivity	I_1 (on)	$V_{CC}=0.85V, V_5 \geq 0.5V$		0.1	1.0	μA
Power OFF Voltage Sensitivity	V_1 (off)	$V_{CC}=0.85V, V_5 \leq 0.1V$	0.5	0.6		V
Muting OFF Current Sensitivity	I_{10} (off)	$V_{CC}=0.85V, V_5 \geq 0.5V$		0.1	1.0	μA
Muting ON Voltage Sensitivity	V_{10} (on)	$V_{CC}=0.85V, V_5 \leq 0.1V$	0.5	0.6		V

Note) The quiescent current is represented by the current flowing into pin 6. The respective maximum currents flowing into pin 1 and pin 10 are calculated by $(\text{pin voltage} - 0.5) / 16 [V/k\Omega]$ and the total current increases by these current values.

Equivalent Circuit Block Diagram

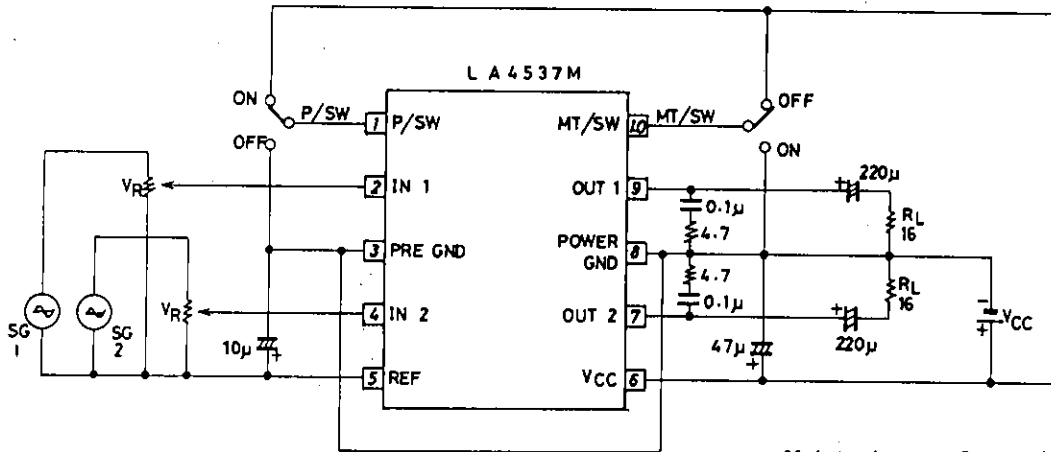


Test Circuit



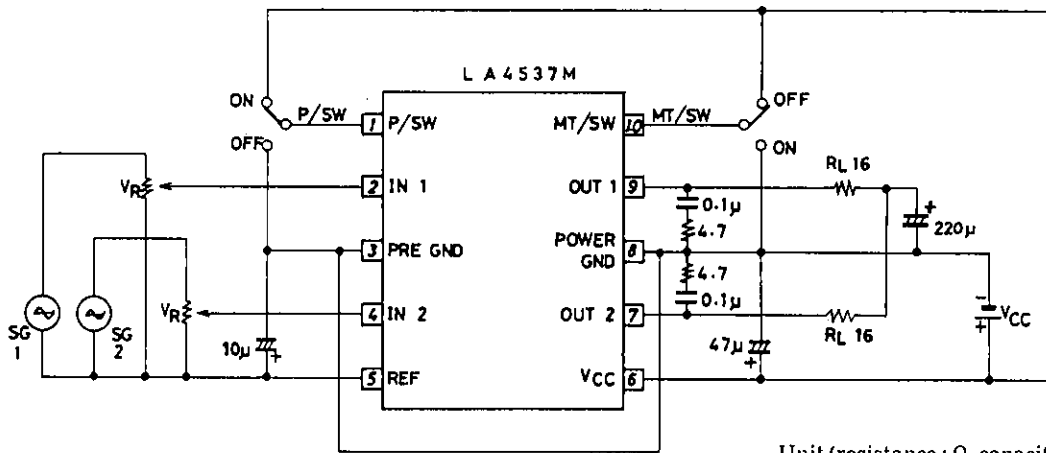
Unit (resistance : Ω , capacitance : F)

Sample Application Circuit 1
(Standard)



Unit (resistance : Ω, capacitance : F)

Sample Application Circuit 2
(Output capacitor shared)



Unit (resistance : Ω, capacitance : F)

■ No products described or contained herein are intended for use in surgical implants, life-support systems, aerospace equipment, nuclear power control systems, vehicles, disaster/crime-prevention equipment and the like, the failure of which may directly or indirectly cause injury, death or property loss.

■ Anyone purchasing any products described or contained herein for an above-mentioned use shall:

- ① Accept full responsibility and indemnify and defend SANYO ELECTRIC CO., LTD., its affiliates, subsidiaries and distributors and all their officers and employees, jointly and severally, against any and all claims and litigation and all damages, cost and expenses associated with such use:
- ② Not impose any responsibility for any fault or negligence which may be cited in any such claim or litigation on SANYO ELECTRIC CO., LTD., its affiliates, subsidiaries and distributors or any of their officers and employees jointly or severally.

■ Information (including circuit diagrams and circuit parameters) herein is for example only; it is not guaranteed for volume production. SANYO believes information herein is accurate and reliable, but no guarantees are made or implied regarding its use or any infringements of intellectual property rights or other rights of third parties.

This catalog provides information as of June, 1995. Specifications and information herein are subject to change without notice.