

GDZ Series

V_Z : 2.2 to 36 Volts
 P_D : 200 mW

FEATURES :

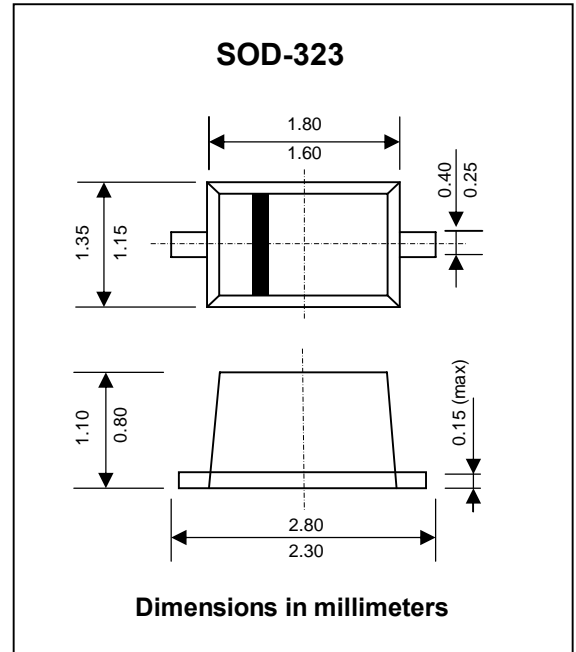
- Silicon planar power zener diodes.
- Low Zener impedance and low leakage current
- Popular in Asian designs
- Compact surface mount device
- Ideal for automated mounting
- Pb / RoHS Free

MECHANICAL DATA :

Case: SOD-323 Plastic Package

Weight: approx. 0.004g

ZENER DIODES



Maximum Ratings and Thermal Characteristics

Rating at 25 °C ambient temperature unless otherwise specified.

Parameter	Symbol	Value	Unit
Zener Current see Table "Characteristics"			
Power Dissipation at $T_a = 25^\circ\text{C}$	P_D	200	mW
Junction temperature	T_J	150	$^\circ\text{C}$
Storage temperature range	T_{STG}	-55 to + 150	$^\circ\text{C}$

ELECTRICAL CHARACTERISTICS

Rating at 25 °C ambient temperature unless otherwise specified

Type Number	Marking Code	Zener voltage $V_z @ I_z^{(1)}$			Operating resistance $Z_z^{(2)}$		Rising operating resistance $Z_{zk}^{(2)}$		Maximum Reverse Leakage Current	
		Min.	Max.	I_z	Max.	@ I_z	Max.	@ I_z	I_R	(V)
		(V)	(V)	(mA)	(Ω)	(mA)	(Ω)	(mA)	(μA)	
GDZ 2.0B	0 2	2.020	2.200	5	100	5	1000	0.5	120	0.5
GDZ 2.2B	1 2	2.220	2.410	5	100	5	1000	0.5	120	0.7
GDZ 2.4B	2 2	2.430	2.630	5	100	5	1000	0.5	120	1.0
GDZ 2.7B	3 2	2.690	2.910	5	110	5	1000	0.5	100	1.0
GDZ 3.0B	4 2	3.010	3.220	5	120	5	1000	0.5	50	1.0
GDZ 3.3B	5 2	3.320	3.530	5	120	5	1000	0.5	20	1.0
GDZ 3.6B	6 2	3.600	3.845	5	100	5	1000	1.0	10	1.0
GDZ 3.9B	7 2	3.890	4.160	5	100	5	1000	1.0	5.0	1.0
GDZ 4.3B	8 2	4.170	4.430	5	100	5	1000	1.0	5.0	1.0
GDZ 4.7B	9 2	4.550	4.750	5	100	5	800	0.5	2.0	1.0
GDZ 5.1B	T 1	4.980	5.200	5	80	5	500	0.5	2.0	1.0
GDZ 5.6B	T 2	5.490	5.730	5	60	5	200	0.5	1.0	2.5
GDZ 6.2B	T 3	6.060	6.330	5	60	5	100	0.5	1.0	3.0
GDZ 6.8B	T 4	6.650	6.930	5	40	5	60	0.5	0.5	3.5
GDZ 7.5B	T 5	7.280	7.600	5	30	5	60	0.5	0.5	4.0
GDZ 8.2B	T 6	8.020	8.360	5	30	5	60	0.5	0.5	5.0
GDZ 9.1B	T 7	8.850	9.230	5	30	5	60	0.5	0.5	6.0
GDZ 10B	T 8	9.770	10.210	5	30	5	60	0.5	0.1	7.0
GDZ 11B	T 9	10.760	11.220	5	30	5	60	0.5	0.1	8.0
GDZ 12B	T A	11.740	12.240	5	30	5	80	0.5	0.1	9.0
GDZ 13B	T B	12.910	13.490	5	37	5	80	0.5	0.1	10.0
GDZ 15B	T C	14.340	14.980	5	42	5	80	0.5	0.1	11.0
GDZ 16B	T D	15.850	16.510	5	50	5	80	0.5	0.1	12.0
GDZ 18B	T E	17.560	18.350	5	65	5	80	0.5	0.1	13.0
GDZ 20B	T H	19.520	20.390	5	85	5	100	0.5	0.1	15.0
GDZ 22B	T K	21.540	22.470	5	100	5	100	0.5	0.1	17.0
GDZ 24B	T L	23.720	24.780	5	120	5	120	0.5	0.1	19.0
GDZ 27B	T M	26.190	27.530	5	150	5	150	0.5	0.1	21.0
GDZ 30B	T N	29.190	30.690	5	200	5	200	0.5	0.1	23.0
GDZ 33B	T P	32.150	33.790	5	250	5	250	0.5	0.1	25.0
GDZ 36B	T T	35.070	36.870	5	300	5	300	0.5	0.1	27.0

Notes:

- (1) The Zener voltage V_z is measured 40 ms after power is supplied.
- (2) The operating resistances (Z_z , Z_{zk}) are measured by superimposing a 1 KHz alternating current on the regulated current (I_z)