

TENTATIVE

Absolute Maximum Ratings/Ta=25°C

Parameters	Symbol	Absolute Maximum	Unit
Supply Voltage	Vcc	6.0	V
Supply Current	Icc	30	mA
Maximum Power Dissipation	PD	200	mW
Operating Temperature	Topg	-20to+85	°C
Storage Temperature	Tstg	-55to+150	°C

Electrical Specifications/Ta=25°C

Parameters	Symbol	Test Conditions	MIN.	TYP.	MAX.	Unit
Supply Current	Icc	Vcc=3V, RL=50Ω fosc=420MHz	9	11	13	mA
Oscillation Power	Posc	Vcc=3V, RL=50Ω fosc=420MHz	-3.5	-1	1.5	dBm

NOTE :

- * Oscillation frequency mainly depends on the external LC.
(The LC is attached additionally to the LC terminal in series.)
- * Recommended oscillation frequency.
250MHz~900MHz

[Reference data]

Power Supply Voltage vs Oscillation Power

L=47nH,C=10pF

Vcc V	Icc mA	Oscillation Power dBm
1.8	-	-
1.9	3.3	-17.7
2.0	4.0	-13.0
2.5	7.7	-5.0
3.0	11.3	-1.0
3.5	14.6	1.1
4.0	17.8	2.6

Oscillation Frequency vs L,C

Vcc=3V

L nH	C pF	Oscillation Frequency MHz
6.8	7	1003
8.2	8	923
10	10	832
12	12	760
15	15	688
18	18	617
22	22	562
27	27	506
33	33	456
39	39	420
47	47	393
56	56	334
68	68	310
82	82	287
100	100	261
120	120	241
150	150	225
180	180	-

Specifications and information herein are subject to change without notice.

SANYO Electric Co., Ltd. Semiconductor Company

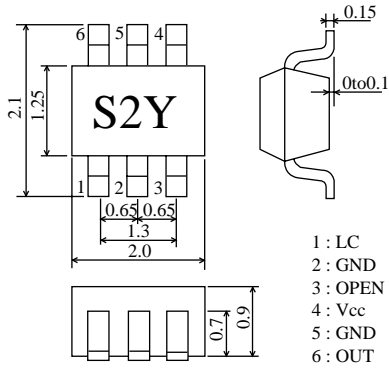
TOKYO OFFICE Tokyo Bldg., 1-10,1 Chome, Ueno, taito-ku, 110 JAPAN

000117TM2fXHD

SMA4201

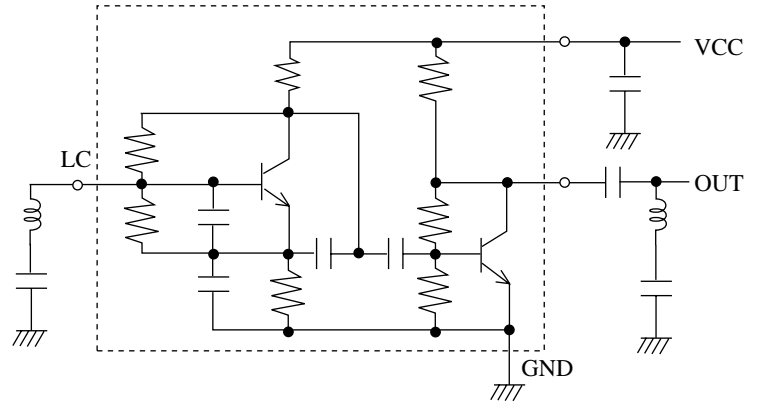
Package Dimensions

MCP6(unit:mm)



②and⑤are Connected.
 Ground either of them.

Equivalent Circuit



Test Circuit

