

PROTECTION PRODUCTS - RailClamp®

Description

The RailClamp family is a series of ultra low capacitance Transient Voltage Suppressors (TVS) designed to protect high speed data interfaces. This series has been specifically designed to protect sensitive components which are connected to high-speed data and transmission lines from overvoltage caused by **ESD** (electrostatic discharge), **CDE** (Cable Discharge Events), and **EFT** (electrical fast transients).

The RClamp™1521P has a maximum capacitance of only 0.5pF. This allows it to be used on circuits operating in excess of 3GHz without signal attenuation. They may be used to meet the ESD immunity requirements of IEC 61000-4-2, Level 4 ($\pm 15\text{kV}$ air, $\pm 8\text{kV}$ contact discharge).

The RClamp1521P is in a 2-pin, RoHS/WEEE compliant, SLP1006P2 package measuring 1.0 x 0.6 x 0.5mm. The leads are spaced at a pitch of 0.65mm and feature a lead-free finish. Each device will protect one high-speed line operating at 15 volts. It gives the designer the flexibility to protect single lines in applications where arrays are not practical. The combination of small size, low capacitance, and high ESD surge capability makes them ideal for use in applications such as cellular phones and high-power USB.

Features

- ◆ Transient protection for data lines to **IEC 61000-4-2 (ESD) $\pm 15\text{kV}$ (air), $\pm 8\text{kV}$ (contact) IEC 61000-4-4 (EFT) 40A (tp = 5/50ns) Cable Discharge Event (CDE)**
- ◆ Ultra-small package (1.0 x 0.6 x 0.5mm)
- ◆ Protects one data or I/O line
- ◆ Low capacitance: **0.3pF** typical
- ◆ Low clamping voltage
- ◆ Low operating voltage: 15V
- ◆ Solid-state silicon-avalanche technology

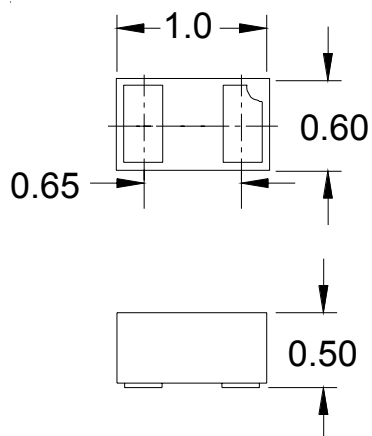
Mechanical Characteristics

- ◆ SLP1006P2 package
- ◆ Molding compound flammability rating: UL 94V-0
- ◆ Marking: Marking code
- ◆ Packaging : Tape and Reel
- ◆ Lead Finish: NiPdAu
- ◆ RoHS/WEEE Compliant

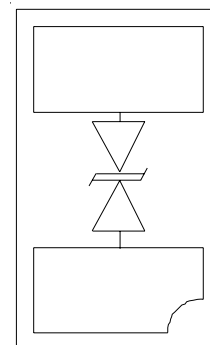
Applications

- ◆ Cellular Handsets & Accessories
- ◆ USB Ports
- ◆ PCI Express
- ◆ Serial ATA

Dimensions



Schematic & PIN Configuration



SLP1006P2 (Bottom View)

PROTECTION PRODUCTS

Absolute Maximum Rating

| Rating | Symbol | Value | Units |
|--|-----------|-----------------|-------|
| Peak Pulse Power (tp = 8/20μs) | P_{pk} | 120 | Watts |
| Peak Pulse Current (tp = 8/20μs) | I_{pp} | 4 | A |
| ESD per IEC 61000-4-2 (Air) ESD per IEC 61000-4-2 (Contact) | V_{ESD} | +/- 15 +/- 8 | kV |
| Operating Temperature | T_J | -55 to +125 | °C |
| Storage Temperature | T_{STG} | -55 to +150 | °C |

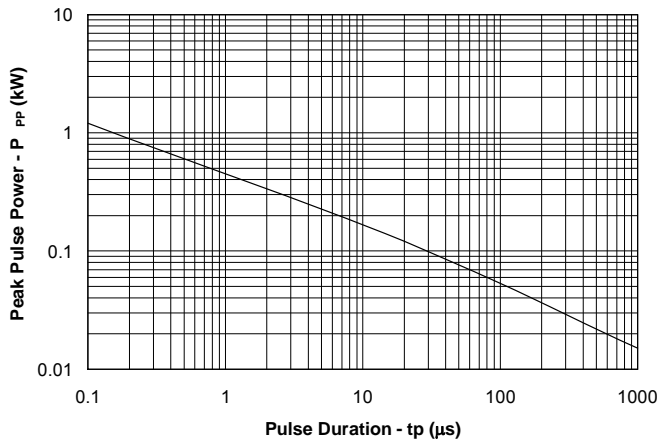
Electrical Characteristics (T=25°C)

| Parameter | Symbol | Conditions | Minimum | Typical | Maximum | Units |
|---------------------------|-----------|----------------------------|---------|---------|---------|-------|
| Reverse Stand-Off Voltage | V_{RWM} | | | | 15 | V |
| Reverse Breakdown Voltage | V_{BR} | $I_t = 1mA$ | 16.7 | | | V |
| Reverse Leakage Current | I_R | $V_{RWM} = 15V, T=25°C$ | | | 1 | μA |
| Clamping Voltage | V_C | $I_{pp} = 1A, tp = 8/20μs$ | | | 28 | V |
| Clamping Voltage | V_C | $I_{pp} = 4A, tp = 8/20μs$ | | | 30 | V |
| Junction Capacitance | C_J | $V_R = 0V, f = 1MHz$ | | 0.30 | 0.50 | pF |

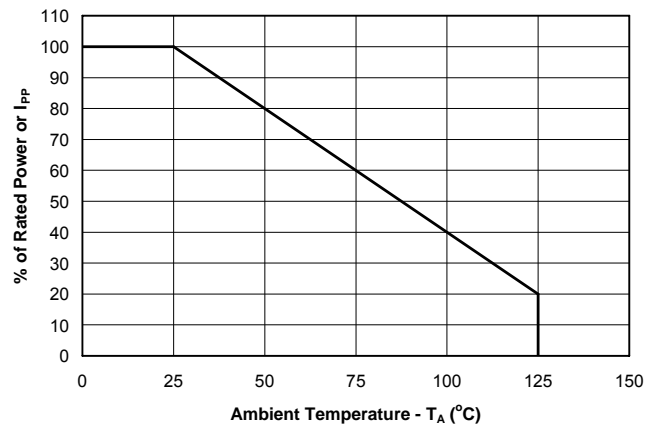
PROTECTION PRODUCTS

Typical Characteristics

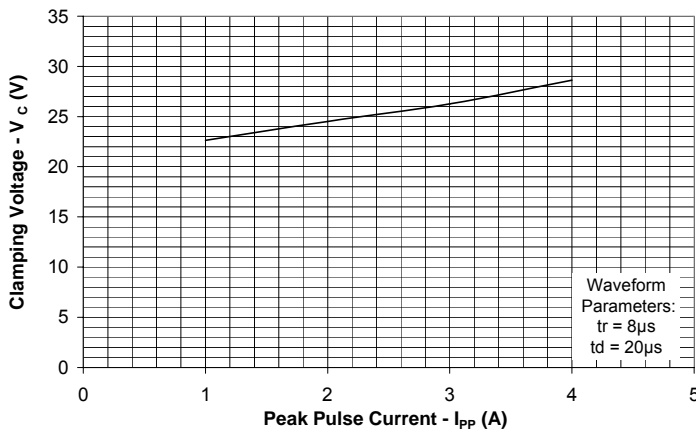
Non-Repetitive Peak Pulse Power vs. Pulse Time



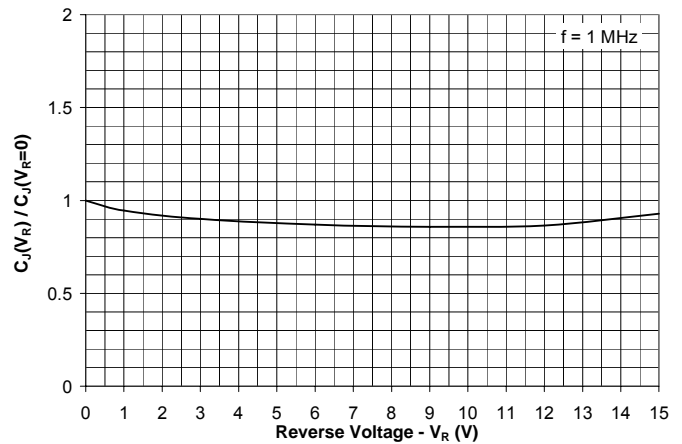
Power Derating Curve



Clamping Voltage vs. Peak Pulse Current

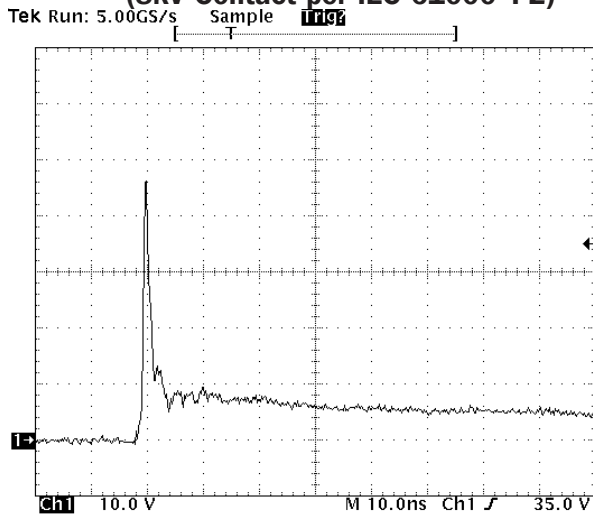


Normalized Capacitance vs. Reverse Voltage



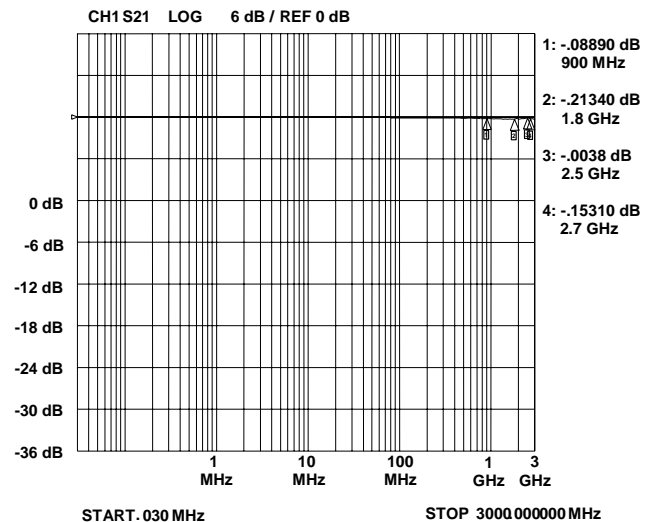
ESD Clamping

(8kV Contact per IEC 61000-4-2)



Note: Data is taken with a 10x attenuator

Insertion Loss S21



PROTECTION PRODUCTS**Applications Information****Device Connection Options**

These low capacitance TVS diodes are designed to provide common mode protection for one high-speed line or differential protection for one line pair. The device is bidirectional and may be used on lines where the signal polarity is positive and negative.

Circuit Board Layout Recommendations for Suppression of ESD.

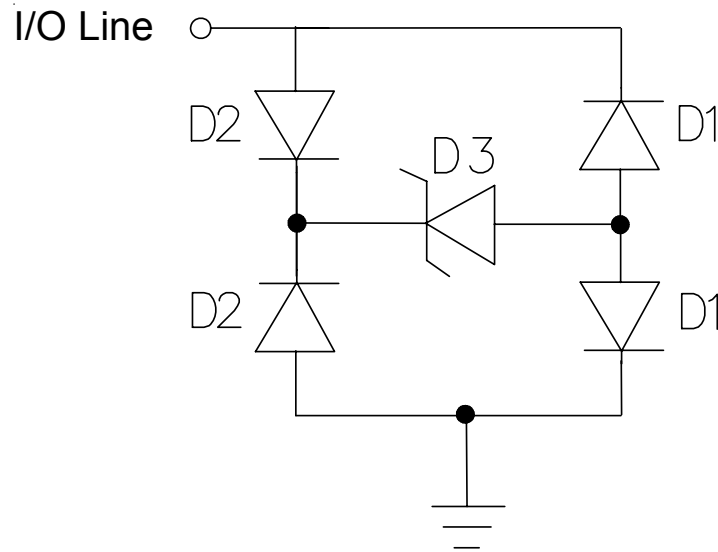
Good circuit board layout is critical for the suppression of ESD induced transients. The following guidelines are recommended:

- Place the TVS near the input terminals or connectors to restrict transient coupling.
- Minimize the path length between the TVS and the protected line.
- Minimize all conductive loops including power and ground loops.
- The ESD transient return path to ground should be kept as short as possible.
- Never run critical signals near board edges.
- Use ground planes whenever possible.

Equivalent Circuit Diagram

PROTECTION PRODUCTS

Applications Information - Spice Model

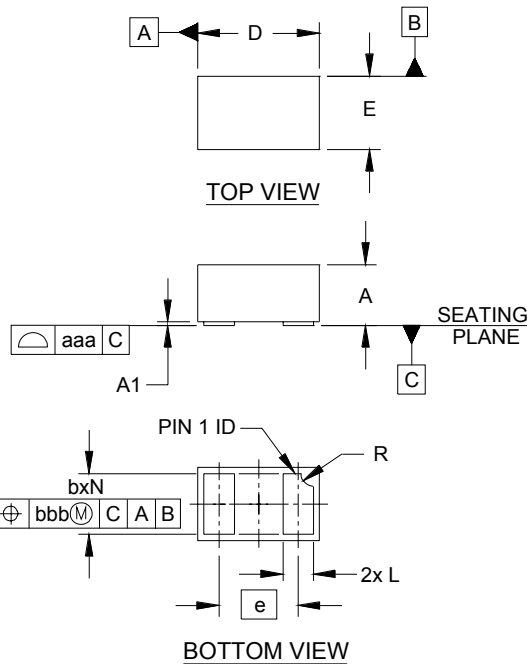


RClamp1521P Spice Model

| RClamp1521P Spice Parameters | | | | |
|------------------------------|-------|-----------|-----------|----------|
| Parameter | Unit | D1 (LCRD) | D2 (LCRD) | D3 (TVS) |
| IS | Amp | 1.0E-20 | 1.0E-20 | 2.0E-12 |
| BV | Volt | 100 | 100 | 19.5 |
| VJ | Volt | 0.7 | 0.7 | 0.6 |
| RS | Ohm | 0.458 | 0.89 | 0.8 |
| IBV | Amp | 1E-3 | 1E-3 | 1E-3 |
| CJO | Farad | 0.4E-12 | 0.4E-12 | 56E-12 |
| TT | sec | 2.541E-9 | 2.541E-9 | 2.541E-9 |
| M | -- | 0.01 | 0.01 | 0.23 |
| N | -- | 1.1 | 1.1 | 1.1 |
| EG | eV | 1.11 | 1.11 | 1.11 |

PROTECTION PRODUCTS

Outline Drawing - SLP1006P2

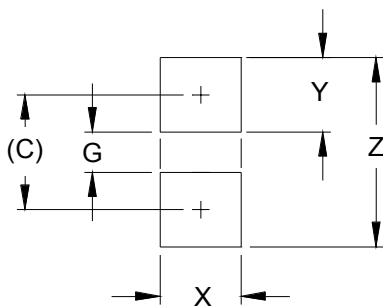


| DIM | INCHES | | | MILLIMETERS | | |
|-----|----------|------|------|-------------|------|------|
| | MIN | NOM | MAX | MIN | NOM | MAX |
| A | .016 | .020 | .022 | 0.40 | 0.50 | 0.55 |
| A1 | .000 | .001 | .002 | 0.00 | 0.03 | 0.05 |
| b | .018 | .020 | .022 | 0.45 | 0.50 | 0.55 |
| D | .035 | .039 | .043 | 0.90 | 1.00 | 1.10 |
| E | .020 | .024 | .028 | 0.50 | 0.60 | 0.70 |
| e | .026 BSC | | | 0.65 BSC | | |
| L | .008 | .010 | .012 | 0.20 | 0.25 | 0.30 |
| R | .002 | .004 | .006 | 0.05 | 0.10 | 0.15 |
| N | 2 | | | 2 | | |
| aaa | .003 | | | 0.08 | | |
| bbb | .004 | | | 0.10 | | |

NOTES:

1. CONTROLLING DIMENSIONS ARE IN MILLIMETERS (ANGLES IN DEGREES).

Land Pattern - SLP1006P2



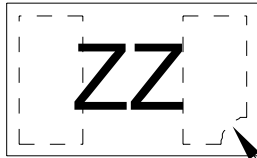
| DIM | DIMENSIONS | |
|-----|------------|-------------|
| | INCHES | MILLIMETERS |
| C | (.033) | (0.85) |
| G | .012 | 0.30 |
| X | .024 | 0.60 |
| Y | .022 | 0.55 |
| Z | .055 | 1.40 |

NOTES:

1. CONTROLLING DIMENSIONS ARE IN MILLIMETERS (ANGLES IN DEGREES).
2. THIS LAND PATTERN IS FOR REFERENCE PURPOSES ONLY.
CONSULT YOUR MANUFACTURING GROUP TO ENSURE YOUR COMPANY'S MANUFACTURING GUIDELINES ARE MET.

PROTECTION PRODUCTS

Marking Code



PIN 1 ID

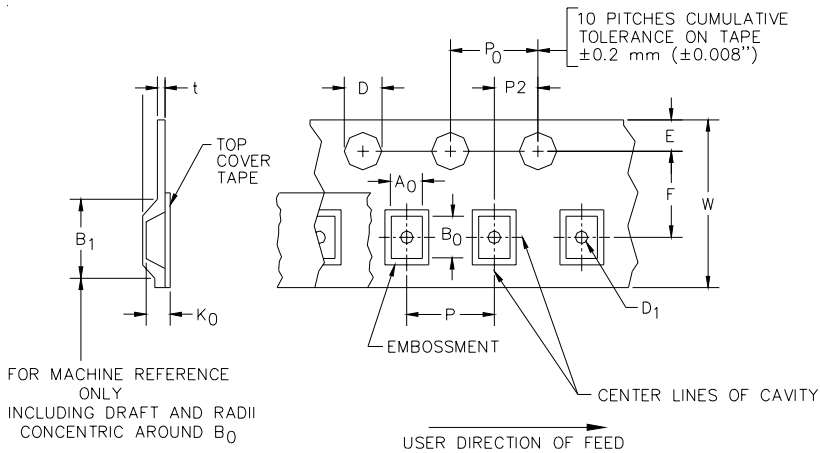
Ordering Information

| Part Number | Qty per Reel | Reel Size |
|-----------------|--------------|-----------|
| RClamp1521P.TCT | 3,000 | 7 Inch |

Note: Lead finish is lead-free NiPdAu.

RailClamp and RClamp are marks of Semtech Corporation.

Tape and Reel Specification



| A0 | B0 | K0 |
|-----------------|-----------------|-----------------|
| 0.69 +/-0.10 mm | 1.19 +/-0.10 mm | 0.66 +/-0.10 mm |

| Tape Width | B, (Max) | D | D1 | E | F | K (Max) | P | P0 | P2 | T (Max) | W |
|------------|------------------|---|---------------------------|-----------------------------|----------------------------|------------------|----------------------------|---------------------------|----------------------------|-----------------|---|
| 8 mm | 4.2 mm (.165) | 1.5 + 0.1 mm - 0.0 mm (0.59 +.005 - .000) | 0.8 mm ±0.25 (.031) | 1.750±0.1 mm (.069±.004) | 3.5±0.05 mm (.138±.002) | 2.4 mm (.094) | 4.0±0.10 mm (.157±.004) | 4.0±0.1 mm (.157±.004) | 2.0±0.05 mm (.079±.002) | 0.4mm (.016) | 8.0 mm + 0.3 mm - 0.1 mm (.312±.012) |

Contact Information

Semtech Corporation
 Protection Products Division
 200 Flynn Rd., Camarillo, CA 93012
 Phone: (805)498-2111 FAX (805)498-3804