

---



---

## HIGH RIPPLE-REJECTION LOW DROPOUT CMOS VOLTAGE REGULATOR

---



---

## S-1111/1121 Series

The S-1111/1121 Series is a positive voltage regulator with a low dropout voltage, high output voltage accuracy, and low current consumption developed based on CMOS technology.

A built-in low on-resistance transistor provides a low dropout voltage and large output current, and a built-in overcurrent protector prevents the load current from exceeding the current capacitance of the output transistor. An ON/OFF circuit ensures a long battery life, and small SOT-23-5 and 5-Pin SON(A) packages realize high-density mounting. The lineup includes the S-1111 and S-1121 Series, which differ in pin configuration.

### ■ Features

- Output voltage: 1.5 V to 5.5 V, selectable in 0.1 V steps.
- High-accuracy output voltage:  $\pm 1.0\%$
- Low dropout voltage: 200 mV typ. (3.0 V output product,  $I_{OUT} = 100$  mA)
- Low current consumption: During operation: 35  $\mu$ A typ., 65  $\mu$ A max.  
During shutdown: 0.1  $\mu$ A typ., 1.0  $\mu$ A max.
- High peak current capability: 150 mA output is possible (@  $V_{IN} \geq V_{OUT(S)} + 1.0$  V)<sup>\*1</sup>
- Built-in ON/OFF circuit: Ensures long battery life.
- High ripple rejection: 70 dB typ. (@ 1.0 kHz)
- Built-in overcurrent protector: Overcurrent of output transistor can be restricted.
- Small package: SOT-23-5, 5-Pin SON(A)

\*1. Attention should be paid to the power dissipation of the package when the output current is large.

### ■ Applications

- Power supply for battery-powered devices
- Power supply for personal communication devices
- Power supply for home electric/electronic appliances
- Power supply for cellular phones

### ■ Packages

- SOT-23-5 (Package drawing code: MP005-A)
- 5-Pin SON(A) (Package drawing code: PN005-A)

■ Block Diagram

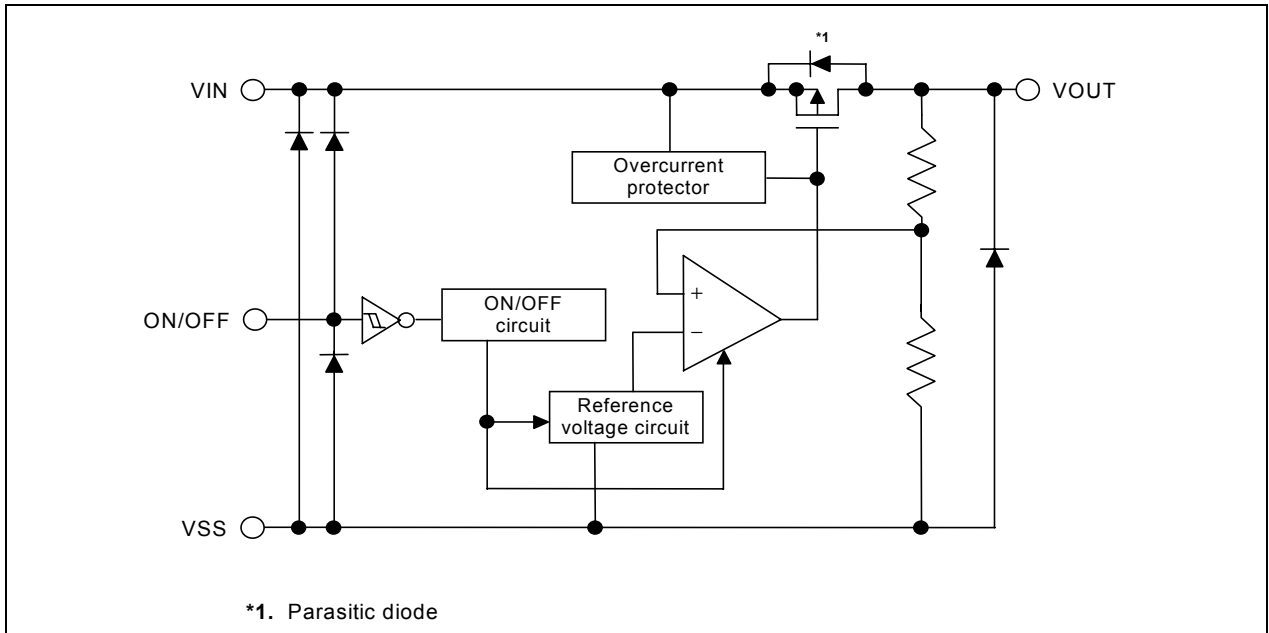


Figure 1

# HIGH RIPPLE-REJECTION LOW DROPOUT CMOS VOLTAGE REGULATOR

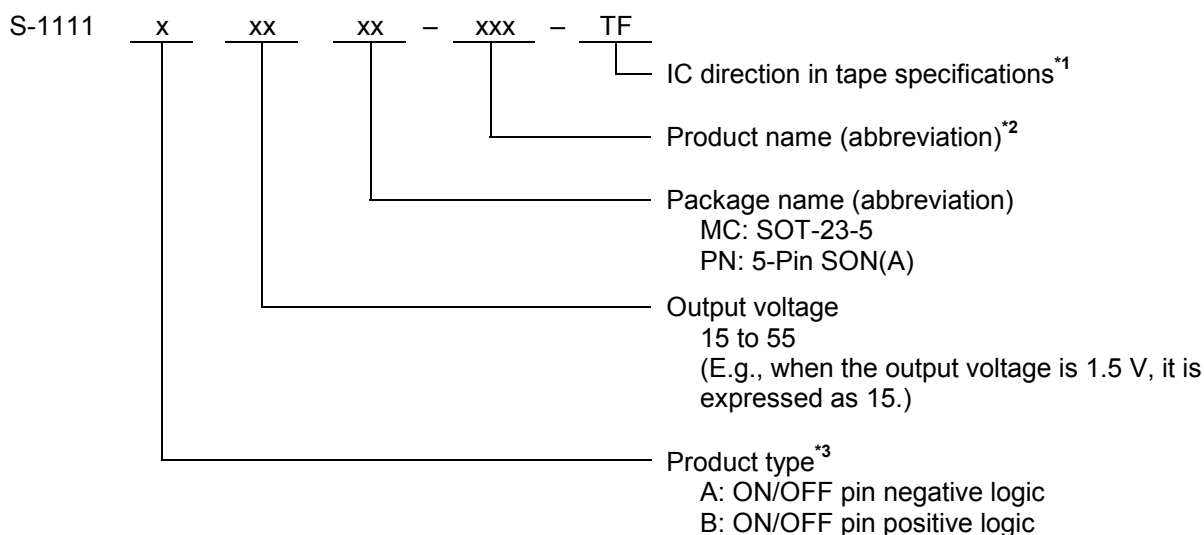
Rev.2.2\_00

**S-1111/1121 Series**

## ■ Product Code Structure

- The product types and output voltage for the S-1111/1121 Series can be selected at the user's request. Refer to the "Product name" for the meanings of the characters in the product name and "Product name list" for the full product names.

### 1. Product name (S-1111 Series)



\*1. Refer to the taping specifications at the end of this book.

\*2. Refer to the product name list.

\*3. Refer to 3. Shutdown (ON/OFF pin) under the Operation.

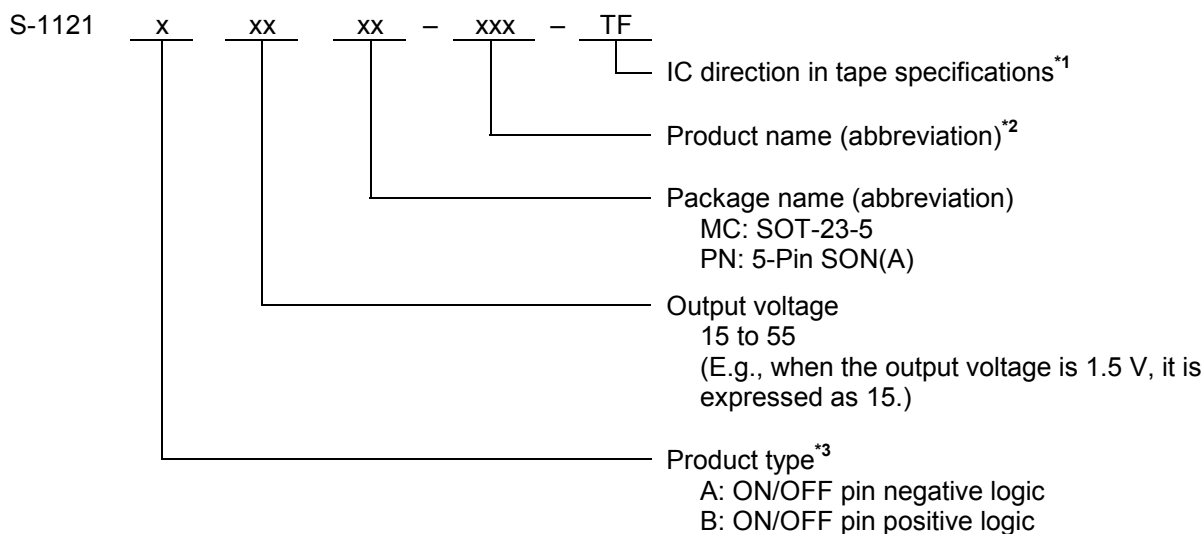
### 2. Product name list (S-1111 Series)

Table 1

Output Voltage	SOT-23-5	5-Pin SON(A)
1.5 V $\pm$ 1.0%	S-1111B15MC-NYA-TF	S-1111B15PN-NYA-TF
1.8 V $\pm$ 1.0%	S-1111B18MC-NYD-TF	S-1111B18PN-NYD-TF
2.5 V $\pm$ 1.0%	S-1111B25MC-NYK-TF	S-1111B25PN-NYK-TF
2.6 V $\pm$ 1.0%	S-1111B26MC-NYL-TF	S-1111B26PN-NYL-TF
2.7 V $\pm$ 1.0%	S-1111B27MC-NYM-TF	S-1111B27PN-NYM-TF
2.8 V $\pm$ 1.0%	S-1111B28MC-NYN-TF	S-1111B28PN-NYN-TF
2.9 V $\pm$ 1.0%	S-1111B29MC-NYO-TF	S-1111B29PN-NYO-TF
3.0 V $\pm$ 1.0%	S-1111B30MC-NYP-TF	S-1111B30PN-NYP-TF
3.1 V $\pm$ 1.0%	S-1111B31MC-NYQ-TF	S-1111B31PN-NYQ-TF
3.3 V $\pm$ 1.0%	S-1111B33MC-NYS-TF	S-1111B33PN-NYS-TF
5.0 V $\pm$ 1.0%	S-1111B50MC-NZJ-TF	S-1111B50PN-NZJ-TF

**Remark** Please contact the SII marketing department for products with an output voltage other than those specified above or type A products.

3. Product name (S-1121 Series)



- \*1. Refer to the taping specifications at the end of this book.
- \*2. Refer to the product name list.
- \*3. Refer to 3. Shutdown pin (ON/OFF pin) under the Operation.

4. Product name list (S-1121 Series)

Table 2

Output Voltage	SOT-23-5	5-Pin SON(A)
1.5 V $\pm$ 1.0%	S-1121B15MC-N2A-TF	S-1121B15PN-N2A-TF
1.8 V $\pm$ 1.0%	S-1121B18MC-N2D-TF	S-1121B18PN-N2D-TF
2.5 V $\pm$ 1.0%	S-1121B25MC-N2K-TF	S-1121B25PN-N2K-TF
2.6 V $\pm$ 1.0%	S-1121B26MC-N2L-TF	S-1121B26PN-N2L-TF
2.7 V $\pm$ 1.0%	S-1121B27MC-N2M-TF	S-1121B27PN-N2M-TF
2.8 V $\pm$ 1.0%	S-1121B28MC-N2N-TF	S-1121B28PN-N2N-TF
2.9 V $\pm$ 1.0%	S-1121B29MC-N2O-TF	S-1121B29PN-N2O-TF
3.0 V $\pm$ 1.0%	S-1121B30MC-N2P-TF	S-1121B30PN-N2P-TF
3.1 V $\pm$ 1.0%	S-1121B31MC-N2Q-TF	S-1121B31PN-N2Q-TF
3.3 V $\pm$ 1.0%	S-1121B33MC-N2S-TF	S-1121B33PN-N2S-TF
5.0 V $\pm$ 1.0%	S-1121B50MC-N3J-TF	S-1121B50PN-N3J-TF

**Remark** Please contact the SII marketing department for products with an output voltage other than those specified above or type A products.

■ Pin Configuration

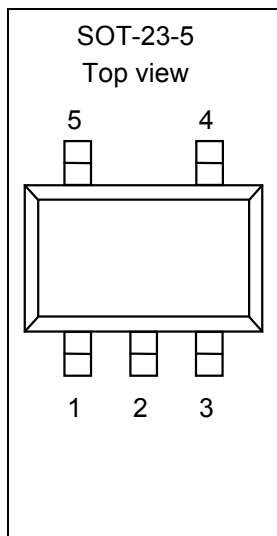


Figure 2

Table 3  
(S-1111 Series)

Pin No.	Symbol	Description
1	VIN	Input voltage pin
2	VSS	GND pin
3	ON/OFF	Shutdown pin
4	NC <sup>*1</sup>	No connection
5	VOUT	Output voltage pin

\*1. The NC pin is electrically open.  
The NC pin can be connected to VIN or VSS.

Table 4  
(S-1121 Series)

Pin No.	Symbol	Description
1	VOUT	Output voltage pin
2	VSS	GND pin
3	VIN	Input voltage pin
4	ON/OFF	Shutdown pin
5	NC <sup>*1</sup>	No connection

\*1. The NC pin is electrically open.  
The NC pin can be connected to VIN or VSS.

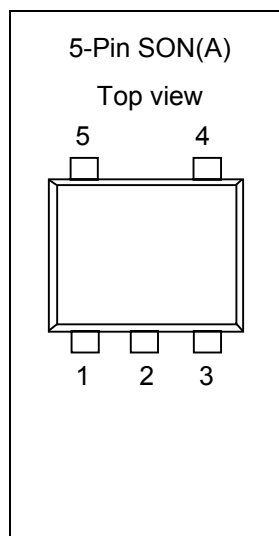


Figure 3

Table 5  
(S-1111 Series)

Pin No.	Symbol	Description
1	ON/OFF	Shutdown pin
2	VSS	GND pin
3	VIN	Input voltage pin
4	VOUT	Output voltage pin
5	NC <sup>*1</sup>	No connection

\*1. The NC pin is electrically open.  
 The NC pin can be connected to VIN or VSS.

Table 6  
(S-1121 Series)

Pin No.	Symbol	Description
1	VOUT	Output voltage pin
2	VSS	GND pin
3	NC <sup>*1</sup>	No connection
4	ON/OFF	Shutdown pin
5	VIN	Input voltage pin

\*1. The NC pin is electrically open.  
 The NC pin can be connected to VIN or VSS.

■ Absolute Maximum Ratings

Table 7

(Ta = 25°C unless otherwise specified)

Item	Symbol	Absolute Maximum Rating		Unit
Input voltage	V <sub>IN</sub>	V <sub>SS</sub> - 0.3 to V <sub>SS</sub> + 7		V
	V <sub>ON/OFF</sub>	V <sub>SS</sub> - 0.3 to V <sub>IN</sub> + 0.3		
Output voltage	V <sub>OUT</sub>	V <sub>SS</sub> - 0.3 to V <sub>IN</sub> + 0.3		
Power dissipation	P <sub>D</sub>	SOT-23-5	300	mW
		5-Pin SON(A)	150	
Operating ambient temperature	T <sub>opr</sub>	-40 to +85		°C
Storage ambient temperature	T <sub>stg</sub>	-40 to +125		

**Caution** The absolute maximum ratings are rated values exceeding which the product could suffer physical damage. These values must therefore not be exceeded under any conditions.

# HIGH RIPPLE-REJECTION LOW DROPOUT CMOS VOLTAGE REGULATOR

Rev.2.2\_00

S-1111/1121 Series

## ■ Electrical Characteristics

Table 8

(Ta = 25°C unless otherwise specified)

Item	Symbol	Conditions	Min.	Typ.	Max.	Unit	Test Circuit	
Output voltage*1	$V_{OUT(E)}$	$V_{IN} = V_{OUT(S)} + 1.0 \text{ V}$ , $I_{OUT} = 30 \text{ mA}$	$V_{OUT(S)} \times 0.99$	$V_{OUT(S)}$	$V_{OUT(S)} \times 1.01$	V	1	
Output current*2	$I_{OUT}$	$V_{IN} \geq V_{OUT(S)} + 1.0 \text{ V}$	$150^{*5}$	—	—	mA	3	
Dropout voltage*3	$V_{drop}$	$I_{OUT} = 100 \text{ mA}$	$1.5 \text{ V} \leq V_{OUT(S)} \leq 1.9 \text{ V}$	—	0.60	1.40	V	1
			$2.0 \text{ V} \leq V_{OUT(S)} \leq 2.4 \text{ V}$	—	0.35	0.70		
			$2.5 \text{ V} \leq V_{OUT(S)} \leq 2.7 \text{ V}$	—	0.24	0.35		
			$2.8 \text{ V} \leq V_{OUT(S)} \leq 3.3 \text{ V}$	—	0.20	0.30		
			$3.4 \text{ V} \leq V_{OUT(S)} \leq 5.5 \text{ V}$	—	0.17	0.26		
Line regulation	$\frac{\Delta V_{OUT1}}{\Delta V_{IN} \cdot V_{OUT}}$	$V_{OUT(S)} + 0.5 \text{ V} \leq V_{IN} \leq 6.5 \text{ V}$ , $I_{OUT} = 30 \text{ mA}$	—	0.05	0.2	% / V		
Load regulation	$\Delta V_{OUT2}$	$V_{IN} = V_{OUT(S)} + 1.0 \text{ V}$ , $1.0 \text{ mA} \leq I_{OUT} \leq 80 \text{ mA}$	—	20	40	mV		
Output voltage temperature coefficient*4	$\frac{\Delta V_{OUT}}{\Delta T_a \cdot V_{OUT}}$	$V_{IN} = V_{OUT(S)} + 1.0 \text{ V}$ , $I_{OUT} = 10 \text{ mA}$ , $-40^\circ\text{C} \leq T_a \leq 85^\circ\text{C}$	—	$\pm 100$	—	ppm / °C		
Current consumption during operation	$I_{SS1}$	$V_{IN} = V_{OUT(S)} + 1.0 \text{ V}$ , ON/OFF pin = ON, no load	—	35	65	μA	2	
Current consumption during shutdown	$I_{SS2}$	$V_{IN} = V_{OUT(S)} + 1.0 \text{ V}$ , ON/OFF pin = OFF, no load	—	0.1	1.0	μA		
Input voltage	$V_{IN}$	—	2.0	—	6.5	V	—	
Shutdown pin input voltage "H"	$V_{SH}$	$V_{IN} = V_{OUT(S)} + 1.0 \text{ V}$ , $R_L = 1.0 \text{ k}\Omega$	1.5	—	—	V	4	
Shutdown pin input voltage "L"	$V_{SL}$	$V_{IN} = V_{OUT(S)} + 1.0 \text{ V}$ , $R_L = 1.0 \text{ k}\Omega$	—	—	0.3	V		
Shutdown pin input current "H"	$I_{SH}$	$V_{IN} = 6.5 \text{ V}$ , $V_{ON/OFF} = 6.5 \text{ V}$	-0.1	—	0.1	μA	μA	
Shutdown pin input current "L"	$I_{SL}$	$V_{IN} = 6.5 \text{ V}$ , $V_{ON/OFF} = 0 \text{ V}$	-0.1	—	0.1	μA		
Ripple rejection	$ RR $	$V_{IN} = V_{OUT(S)} + 1.0 \text{ V}$ , $f = 1.0 \text{ kHz}$ , $\Delta V_{rip} = 0.5 \text{ V}_{rms}$ , $I_{OUT} = 30 \text{ mA}$	—	70	—	dB	5	
Short-circuit current	$I_{short}$	$V_{IN} = V_{OUT(S)} + 1.0 \text{ V}$ , ON/OFF pin = ON, $V_{OUT} = 0 \text{ V}$	—	250	—	mA	3	

\*1.  $V_{OUT(S)}$ : Specified output voltage

$V_{OUT(E)}$ : Actual output voltage at the fixed load

The output voltage when fixing  $I_{OUT}(= 30 \text{ mA})$  and inputting  $V_{OUT(S)} + 1.0 \text{ V}$

\*2. The output current at which the output voltage becomes 95% of  $V_{OUT(E)}$  after gradually increasing the output current.

\*3.  $V_{drop} = V_{IN1} - (V_{OUT3} \times 0.98)$

$V_{OUT3}$  is the output voltage when  $V_{IN} = V_{OUT(S)} + 1.0 \text{ V}$  and  $I_{OUT} = 100 \text{ mA}$ .

$V_{IN1}$  is the input voltage at which the output voltage becomes 98% of  $V_{OUT3}$  after gradually decreasing the input voltage.

\*4. The change in temperature [mV/°C] is calculated using the following equation.

$$\frac{\Delta V_{OUT}}{\Delta T_a} [\text{mV}/^\circ\text{C}]^{*1} = V_{OUT(S)} [\text{V}]^2 \times \frac{\Delta V_{OUT}}{\Delta T_a \cdot V_{OUT}} [\text{ppm}/^\circ\text{C}]^{*3} \div 1000$$

\*1. The change in temperature of the output voltage

\*2. Specified output voltage

\*3. Output voltage temperature coefficient

\*5. The output current can be at least this value.

Due to restrictions on the package power dissipation, this value may not be satisfied. Attention should be paid to the power dissipation of the package when the output current is large.

This specification is guaranteed by design.

■ Test Circuits

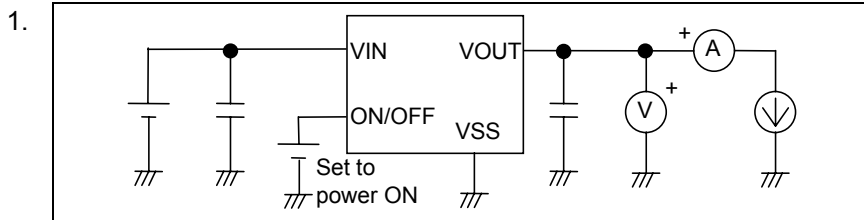


Figure 4

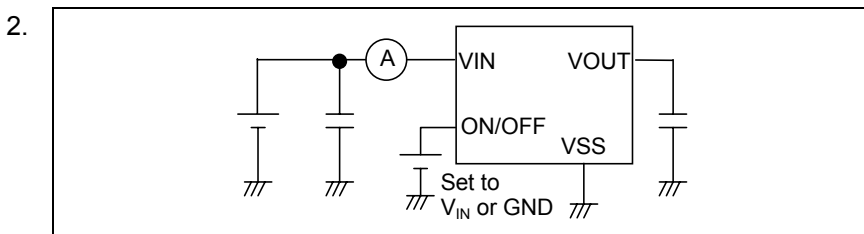


Figure 5

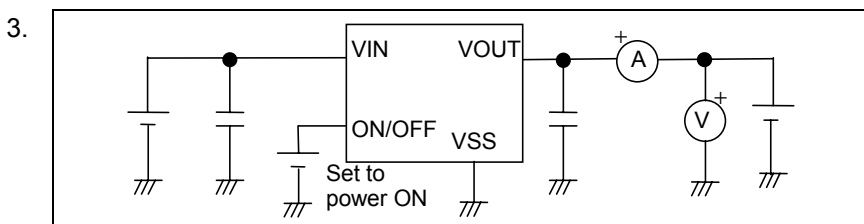


Figure 6

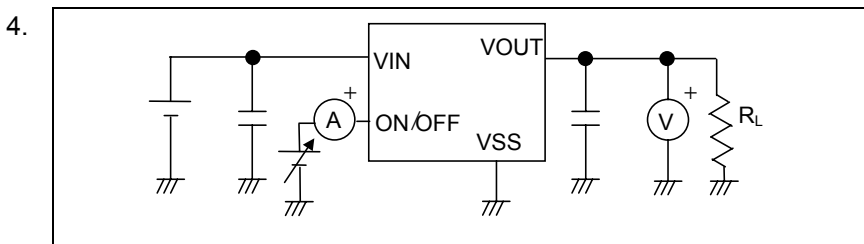


Figure 7

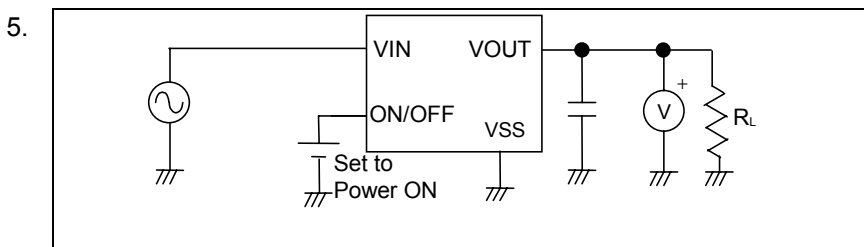


Figure 8



■ Standard Circuit

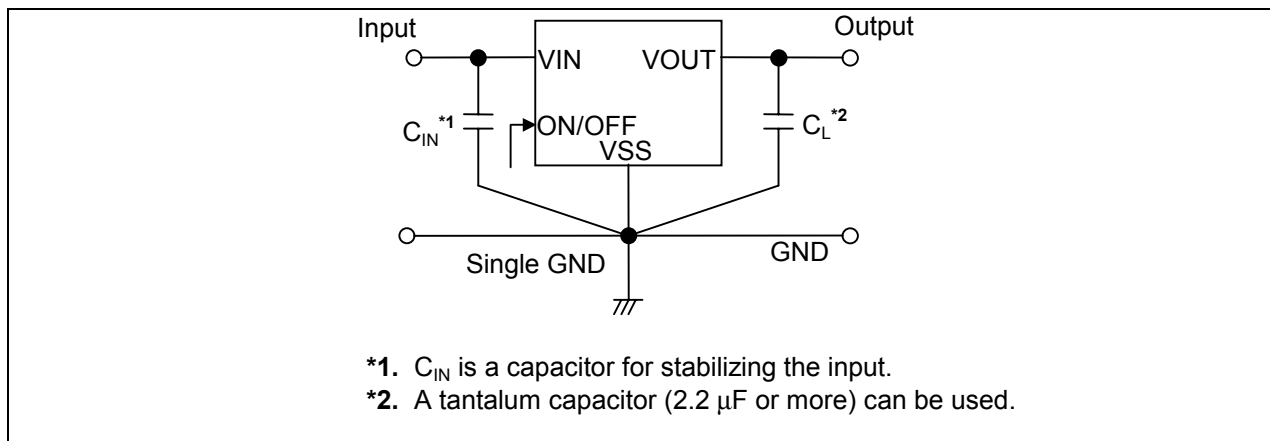


Figure 9

**Caution** The above connection diagram and constant will not guarantee successful operation. Perform thorough evaluation using the actual application to set the constant.

■ Application Conditions

Input capacitor ( $C_{IN}$ ): 1.0  $\mu$ F or more  
Output capacitor ( $C_L$ ): 2.2  $\mu$ F or more (tantalum capacitor)

**Caution** A general series regulator may oscillate, depending on the external components selected. Check that no oscillation occurs with the application using the above capacitor.

■ Explanation of Terms

1. Low dropout voltage regulator

The low dropout voltage regulator is a voltage regulator whose dropout voltage is low due to its built-in low on-resistance transistor.

2. Output voltage ( $V_{OUT}$ )

The accuracy of the output voltage is ensured at  $\pm 1.0\%$  under the specified conditions of fixed input voltage\*1, fixed output current, and fixed temperature.

\*1. Differs depending the product.

**Caution** If the above conditions change, the output voltage value may vary and exceed the accuracy range of the output voltage. Please see the electrical characteristics and attached characteristics data for details.

3. Line regulation  $\left( \frac{\Delta V_{OUT1}}{\Delta V_{IN} \bullet V_{OUT}} \right)$

Indicates the dependency of the output voltage on the input voltage. That is, the values show how much the output voltage changes due to a change in the input voltage with the output current remaining unchanged.

4. Load regulation ( $\Delta V_{OUT2}$ )

Indicates the dependency of the output voltage on the output current. That is, the values show how much the output voltage changes due to a change in the output current with the input voltage remaining unchanged.

5. Dropout voltage ( $V_{drop}$ )

Indicates the difference between the input voltage  $V_{IN1}$ , which is the input voltage ( $V_{IN}$ ) at the point where the output voltage has fallen to 98% of the output voltage value  $V_{OUT3}$  after  $V_{IN}$  was gradually decreased from  $V_{IN} = V_{OUT(S)} + 1.0$  V, and the output voltage at that point ( $V_{OUT3} \times 0.98$ ).

$$V_{drop} = V_{IN1} - (V_{OUT3} \times 0.98)$$

6. Temperature coefficient of output voltage  $\left( \frac{\Delta V_{OUT}}{\Delta T_a \bullet V_{OUT}} \right)$

The shadowed area in Figure 10 is the range where  $V_{OUT}$  varies in the operating temperature range when the temperature coefficient of the output voltage is  $\pm 100$  ppm/ $^{\circ}\text{C}$ .

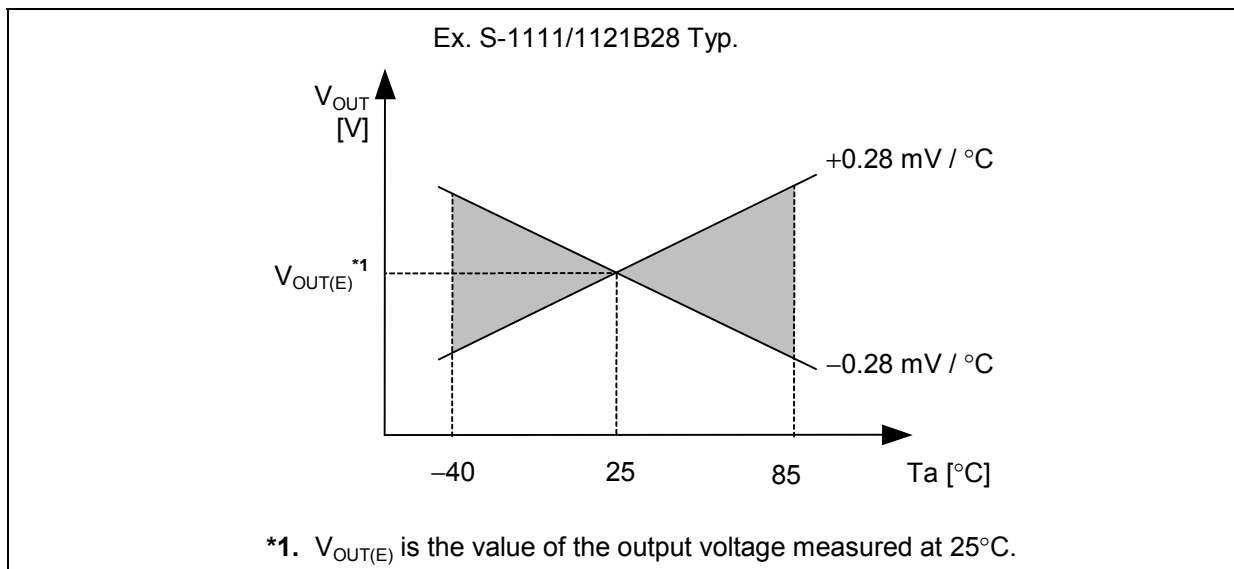


Figure 10

A change in the temperature of the output voltage [mV/ $^{\circ}\text{C}$ ] is calculated using the following equation.

$$\frac{\Delta V_{OUT}}{\Delta T_a} [\text{mV}/^{\circ}\text{C}]^*1 = V_{OUT(S)} [\text{V}]^*2 \times \frac{\Delta V_{OUT}}{\Delta T_a \bullet V_{OUT}} [\text{ppm}/^{\circ}\text{C}]^*3 \div 1000$$

- \*1. Change in temperature of output voltage
- \*2. Specified output voltage
- \*3. Output voltage temperature coefficient

■ Operation

1. Basic operation

Figure 11 shows the block diagram of the S-1111/1121 Series.

The error amplifier compares the reference voltage ( $V_{ref}$ ) with  $V_{fb}$ , which is the output voltage resistance-divided by feedback resistors  $R_s$  and  $R_f$ . It supplies the output transistor with the gate voltage necessary to ensure a certain output voltage free of any fluctuations of input voltage and temperature.

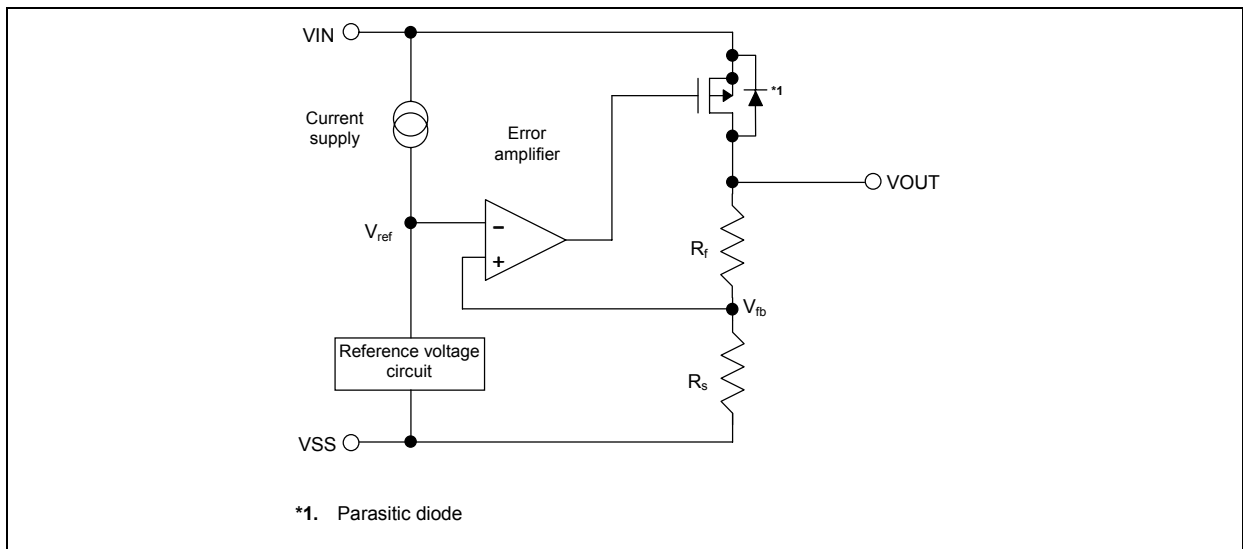


Figure 11

2. Output transistor

The S-1111/1121 Series uses a low on-resistance P-channel MOS FET as the output transistor. Be sure that  $V_{OUT}$  does not exceed  $V_{IN} + 0.3$  V to prevent the voltage regulator from being damaged due to inverse current flowing from VOUT pin through a parasitic diode to VIN pin.

### 3. Shutdown pin (ON/OFF pin)

This pin starts and stops the regulator.

When the ON/OFF pin is set to the shutdown level, the operation of all internal circuits stops, and the built-in P-channel MOS FET output transistor between the VIN pin and VOUT pin is turned off to substantially reduce the current consumption. The VOUT pin becomes the V<sub>SS</sub> level due to the internally divided resistance of several hundreds kΩ between the VOUT pin and VSS pin.

The structure of the ON/OFF pin is as shown in Figure 12. Since the ON/OFF pin is neither pulled down nor pulled up internally, do not use it in the floating state. In addition, note that the current consumption increases if a voltage of 0.3 V to V<sub>IN</sub> – 0.3 V is applied to the ON/OFF pin. When the ON/OFF pin is not used, connect it to the VSS pin if the logic type is “A” and to the VIN pin if it is “B”.

Table 9

Logic Type	ON/OFF Pin	Internal Circuits	VOUT Pin Voltage	Current Consumption
A	“L”: Power on	Operating	Set value	I <sub>SS1</sub>
A	“H”: Power off	Stopped	V <sub>SS</sub> level	I <sub>SS2</sub>
B	“L”: Power off	Stopped	V <sub>SS</sub> level	I <sub>SS2</sub>
B	“H”: Power on	Operating	Set value	I <sub>SS1</sub>

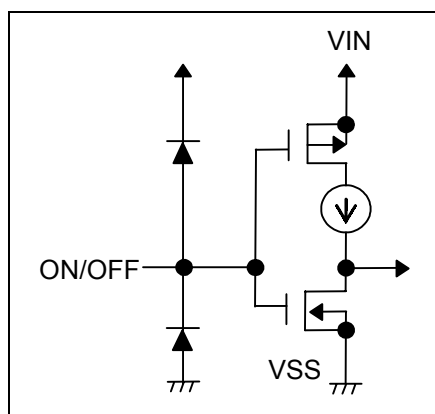


Figure 12

### ■ Selection of Output Capacitor (C<sub>L</sub>)

The S-1111/1121 Series performs phase compensation using the internal phase compensator in the IC and the ESR (Equivalent Series Resistance) of the output capacitor to enable stable operation independent of changes in the output load. Therefore, always place a capacitor (C<sub>L</sub>) of 2.2 μF or more between VOUT and VSS pins.

For stable operation of the S-1111/1121 Series, it is essential to employ a capacitor whose ESR is within an optimum range. Using a capacitor whose ESR is outside the optimum range (approximately 0.5 to 5 Ω), whether larger or smaller, may cause an unstable output, resulting in oscillation. For this reason, a tantalum electrolytic capacitor is recommended.

When a ceramic capacitor or an OS capacitor with a low ESR is used, it is necessary to connect an additional resistor that serves as the ESR in series with the output capacitor. The required resistance value is approximately 0.5 to 5 Ω, which varies depending on the usage conditions, so perform sufficient evaluation for selection. Ordinarily, around 1.0 Ω is recommended.

Note that an aluminum electrolytic capacitor may increase the ESR at a low temperature, causing oscillation. When using this kind of capacitor, perform thorough evaluation, including evaluation of temperature characteristics.

■ Precautions

- Wiring patterns for the VIN, VOUT and GND pins should be designed so that the impedance is low. When mounting an output capacitor between the VOUT and VSS pins ( $C_L$ ) and a capacitor for stabilizing the input between VIN and VSS pins ( $C_{IN}$ ), the distance from the capacitors to these pins should be as short as possible.
- Note that the output voltage may increase when a series regulator is used at low load current (1.0 mA or less).
- This IC performs phase compensation by using an internal phase compensator and the ESR of an output capacitor. Therefore, always place a capacitor of 2.2  $\mu$ F or more between VOUT and VSS pins. A tantalum type capacitor is recommended. Moreover, to secure stable operation of the S-1111/1121 Series, it is necessary to employ a capacitor with an ESR within an optimum range (0.5 to 5  $\Omega$ ). Using a capacitor whose ESR is outside the optimum range (approximately 0.5 to 5  $\Omega$ ), whether larger or smaller, may cause an unstable output, resulting in oscillation. Perform sufficient evaluation under the actual usage conditions for selection, including evaluation of temperature characteristics.
- The voltage regulator may oscillate when the impedance of the power supply is high and the input capacitor is small or an input capacitor is not connected.
- The application conditions for the input voltage, output voltage, and load current should not exceed the package power dissipation.
- Do not apply an electrostatic discharge to this IC that exceeds the performance ratings of the built-in electrostatic protection circuit.
- In determining the output current, attention should be paid to the output current value specified in Table 8 in the electrical characteristics and footnote \*5) of the table.
- SII claims no responsibility for any disputes arising out of or in connection with any infringement by products including this IC of patents owned by a third party.

# HIGH RIPPLE-REJECTION LOW DROPOUT CMOS VOLTAGE REGULATOR

Rev.2.2\_00

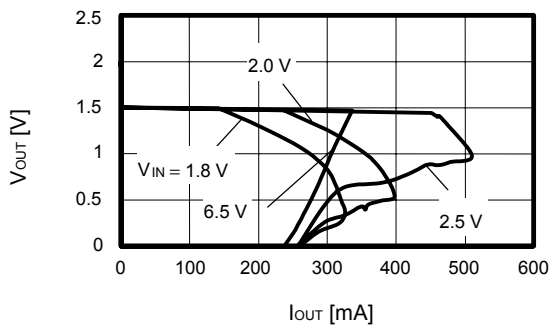
S-1111/1121 Series

## ■ Typical Characteristics

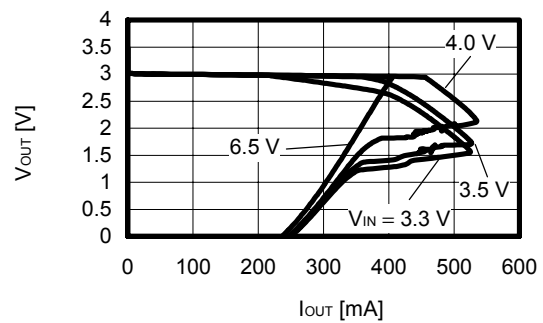
**Remark** The following, which describes the S-1111 Series as the typical product, shows typical data common to the S-1121 Series.

(1) Output Voltage vs. Output current (when load current increases)

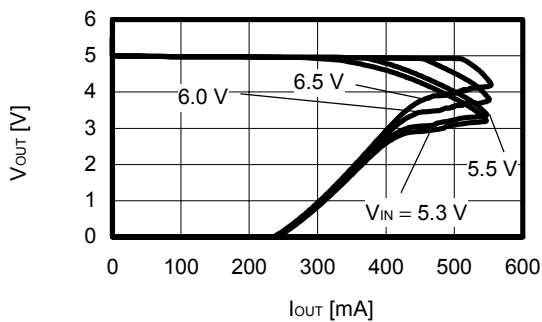
S-1111B15 ( $T_a = 25^\circ\text{C}$ )



S-1111B30 ( $T_a = 25^\circ\text{C}$ )



S-1111B50 ( $T_a = 25^\circ\text{C}$ )

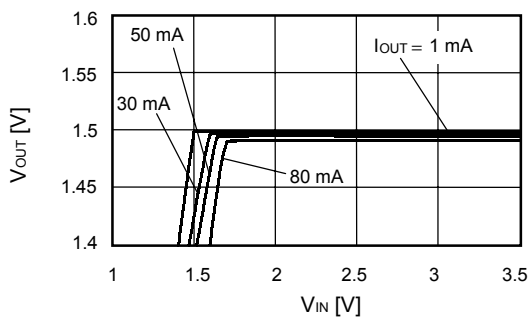


**Remark** In determining the output current, attention should be paid to the following.

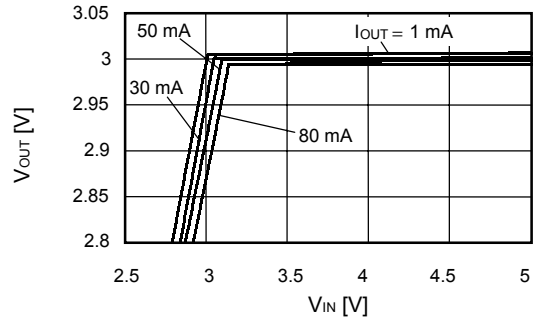
- 1) The minimum output current value and footnote \*5 in the electrical characteristics
- 2) The package power dissipation

(2) Output voltage vs. Input voltage

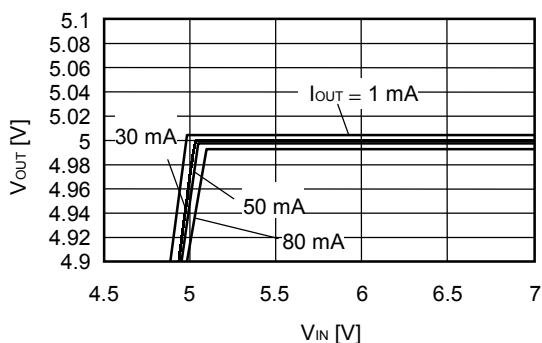
S-1111B15 ( $T_a = 25^\circ\text{C}$ )



S-1111B30 ( $T_a = 25^\circ\text{C}$ )

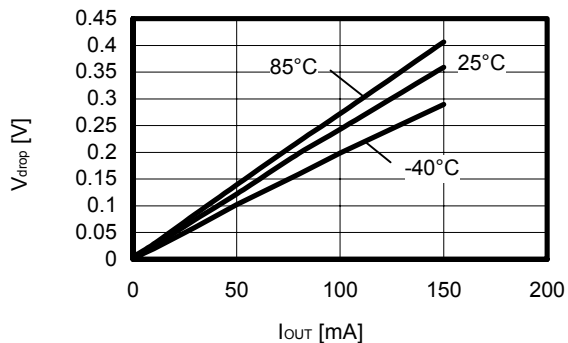


S-1111B50 ( $T_a = 25^\circ\text{C}$ )

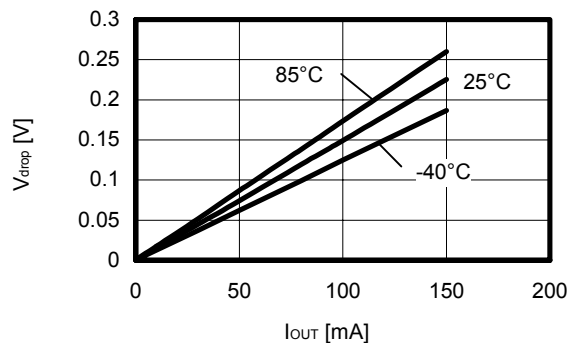


(3) Dropout voltage vs. Output current

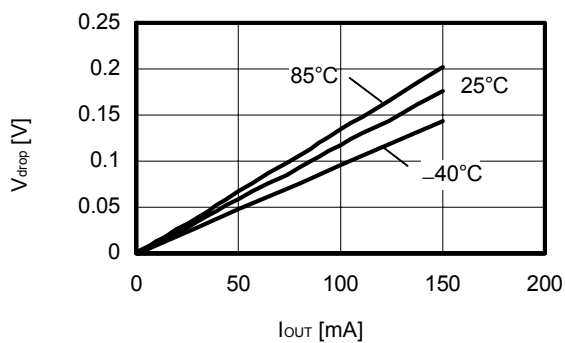
S-1111B15



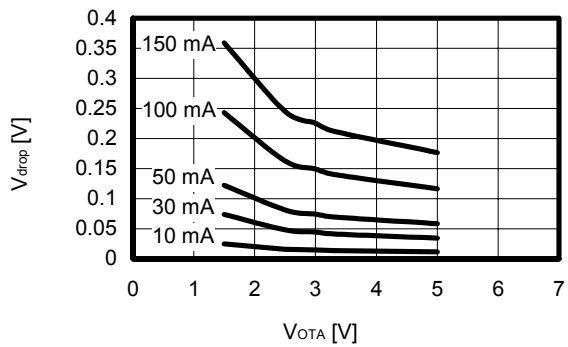
S-1111B30



S-1111B50



(4) Dropout voltage vs. Set output voltage





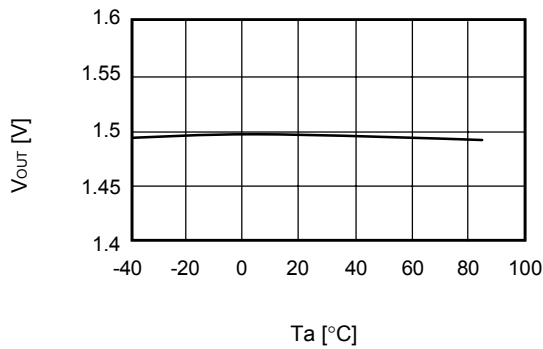
# HIGH RIPPLE-REJECTION LOW DROPOUT CMOS VOLTAGE REGULATOR

Rev.2.2\_00

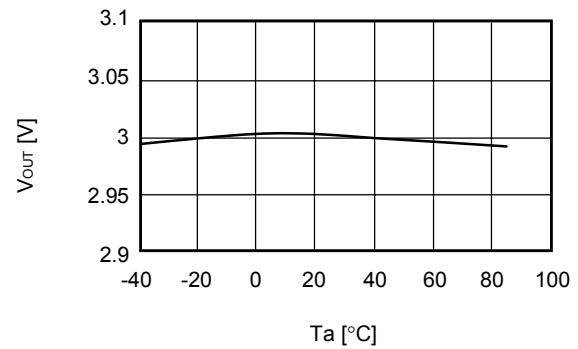
S-1111/1121 Series

## (5) Output voltage vs. Ambient temperature

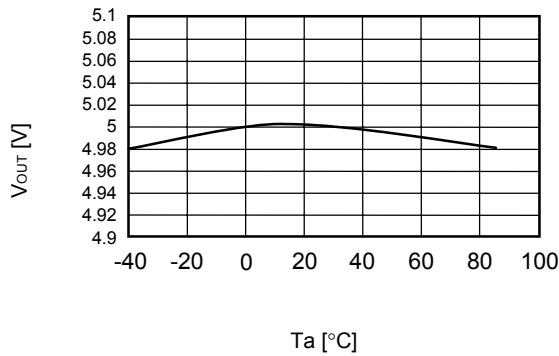
S-1111B15



S-1111B30

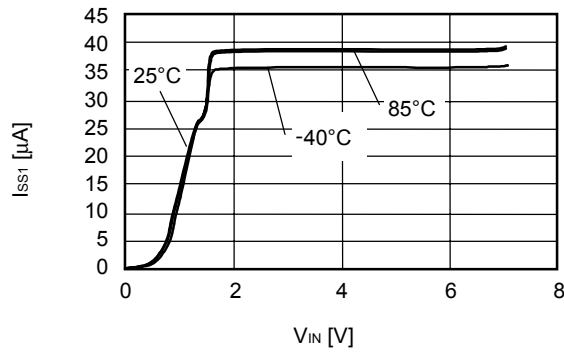


S-1111B50

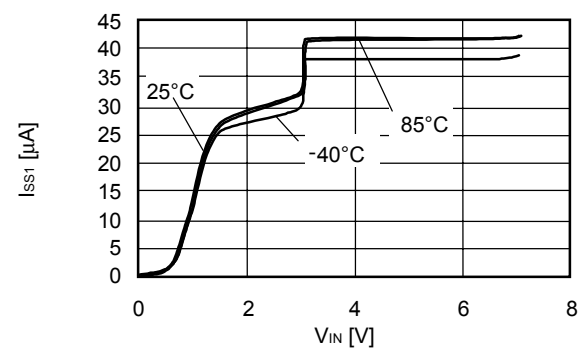


## (6) Current consumption vs. Input voltage

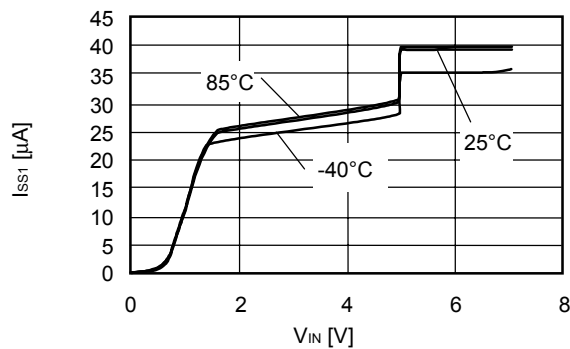
S-1111B15



S-1111B30



S-1111B50



# HIGH RIPPLE-REJECTION LOW DROPOUT CMOS VOLTAGE REGULATOR

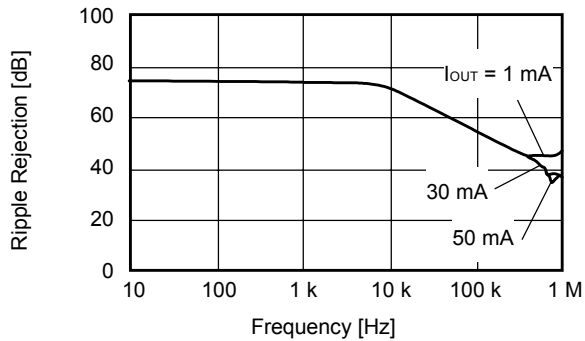
## S-1111/1121 Series

Rev.2.2\_00

### (7) Ripple rejection

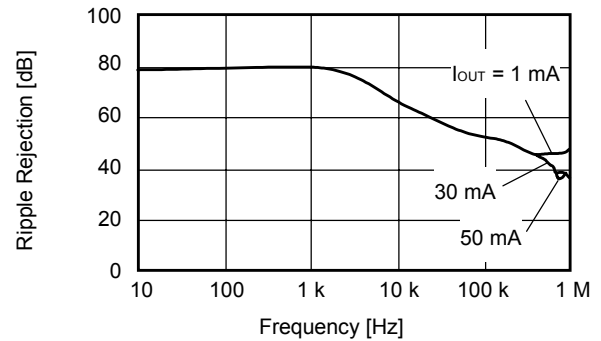
S-1111B15 (Ta = 25°C)

V<sub>IN</sub> = 2.5 V, C<sub>OUT</sub> = 2.2 μF



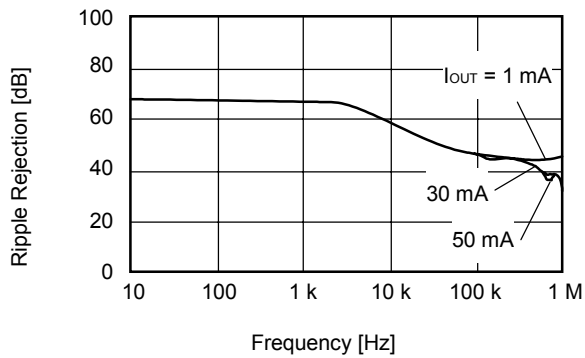
S-1111B30 (Ta = 25°C)

V<sub>IN</sub> = 4.0 V, C<sub>OUT</sub> = 2.2 μF



S-1111B50 (Ta = 25°C)

V<sub>IN</sub> = 6.0 V, C<sub>OUT</sub> = 2.2 μF



# HIGH RIPPLE-REJECTION LOW DROPOUT CMOS VOLTAGE REGULATOR

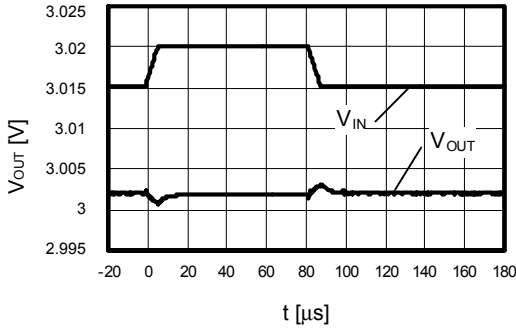
Rev.2.2\_00

S-1111/1121 Series

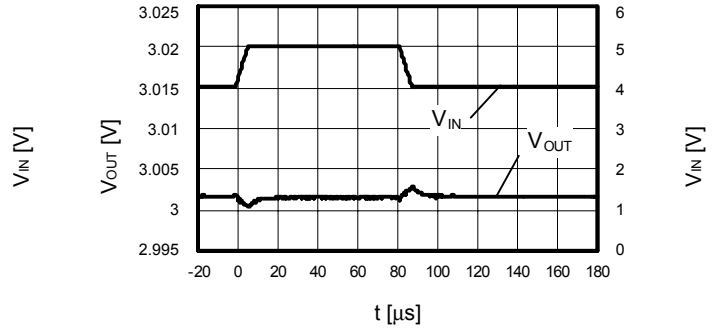
## Reference Data

### (1) Input transient response characteristics

$I_{OUT} = 30 \text{ mA}$ ,  $t_r = t_f = 5.0 \mu\text{s}$ ,  $C_{OUT} = 2.2 \mu\text{F}$ ,  $C_{IN} = 0 \mu\text{F}$

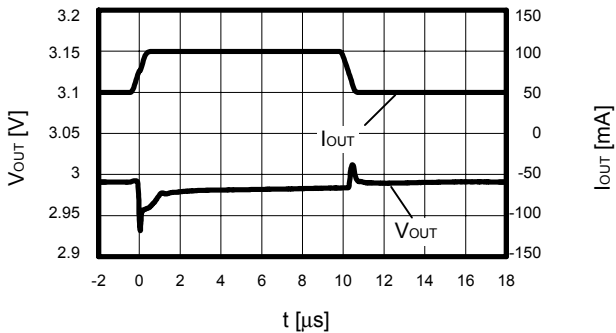


$I_{OUT} = 30 \text{ mA}$ ,  $t_r = t_f = 5.0 \mu\text{s}$ ,  $C_{OUT} = 4.7 \mu\text{F}$ ,  $C_{IN} = 0 \mu\text{F}$

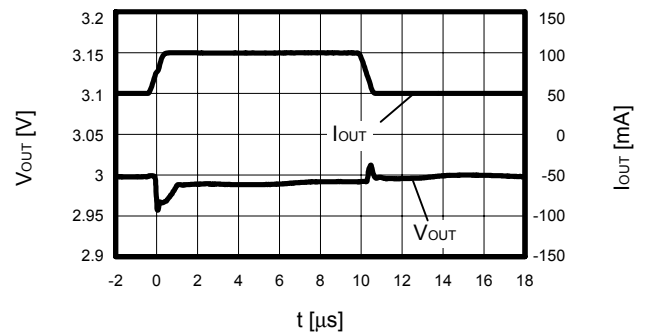


### (2) Load transient response characteristics

$V_{IN} = 4.0 \text{ V}$ ,  $C_{OUT} = 2.2 \mu\text{F}$ ,  $C_{IN} = 1.0 \mu\text{F}$ ,  
 $I_{OUT} = 50 \leftrightarrow 100 \text{ mA}$



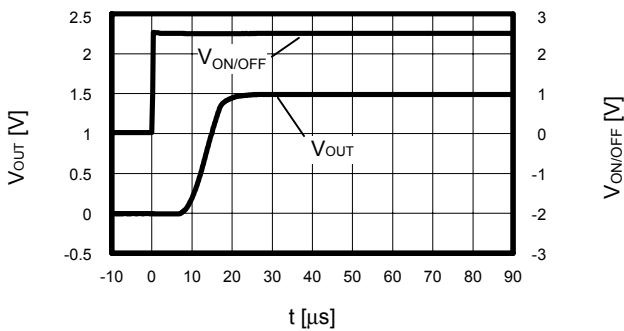
$V_{IN} = 4.0 \text{ V}$ ,  $C_{OUT} = 4.7 \mu\text{F}$ ,  $C_{IN} = 1.0 \mu\text{F}$ ,  
 $I_{OUT} = 50 \leftrightarrow 100 \text{ mA}$



### (3) Shutdown pin transient response characteristics

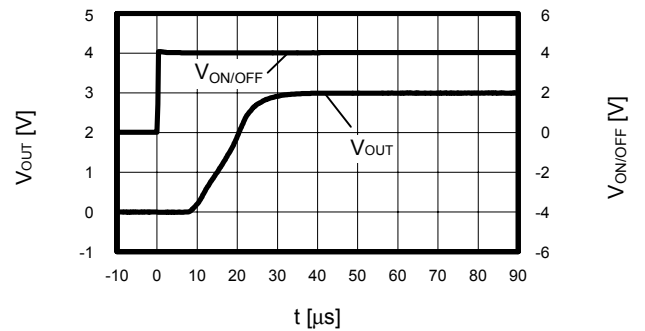
S-1111B15 ( $T_a = 25^\circ\text{C}$ )

$V_{IN} = 2.5 \text{ V}$ ,  $C_{OUT} = 2.2 \mu\text{F}$ ,  $C_{IN} = 1.0 \mu\text{F}$



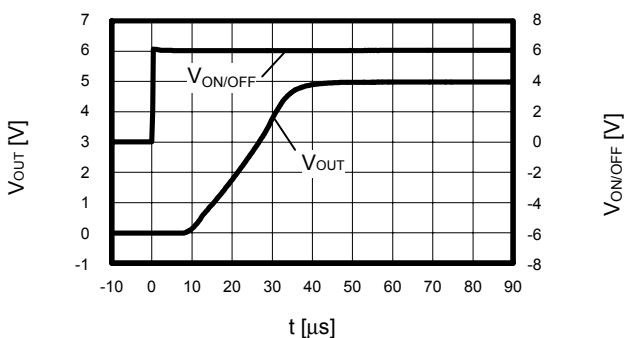
S-1111B30 ( $T_a = 25^\circ\text{C}$ )

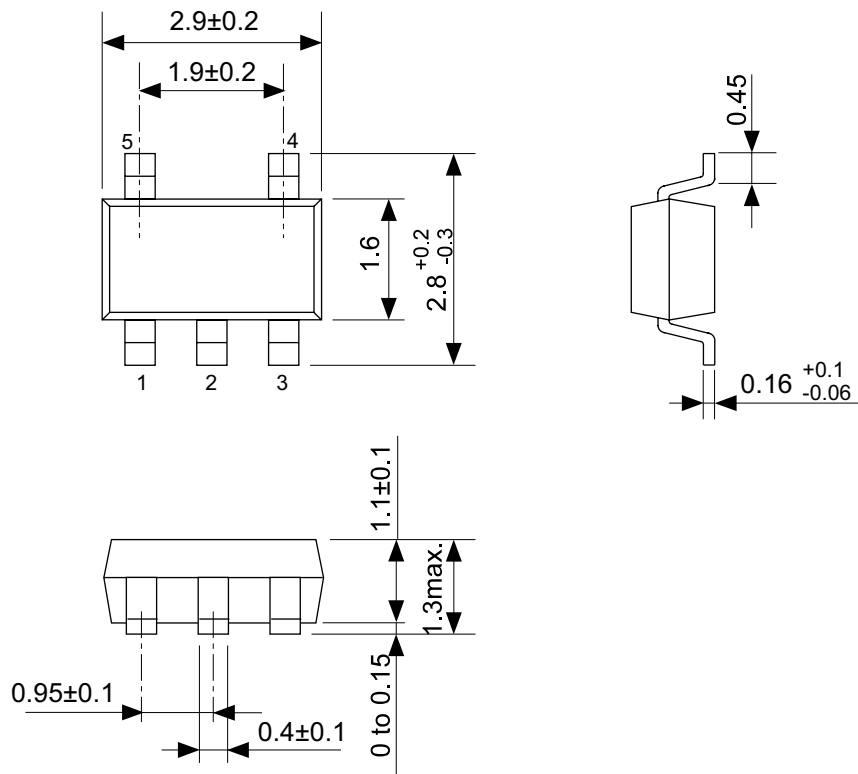
$V_{IN} = 4.0 \text{ V}$ ,  $C_{OUT} = 2.2 \mu\text{F}$ ,  $C_{IN} = 1.0 \mu\text{F}$



S-1111B50 ( $T_a = 25^\circ\text{C}$ )

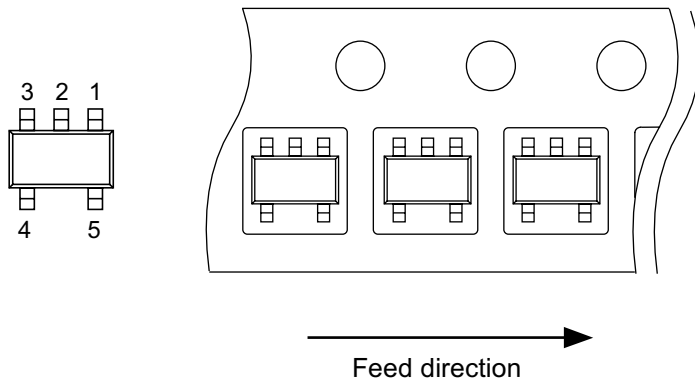
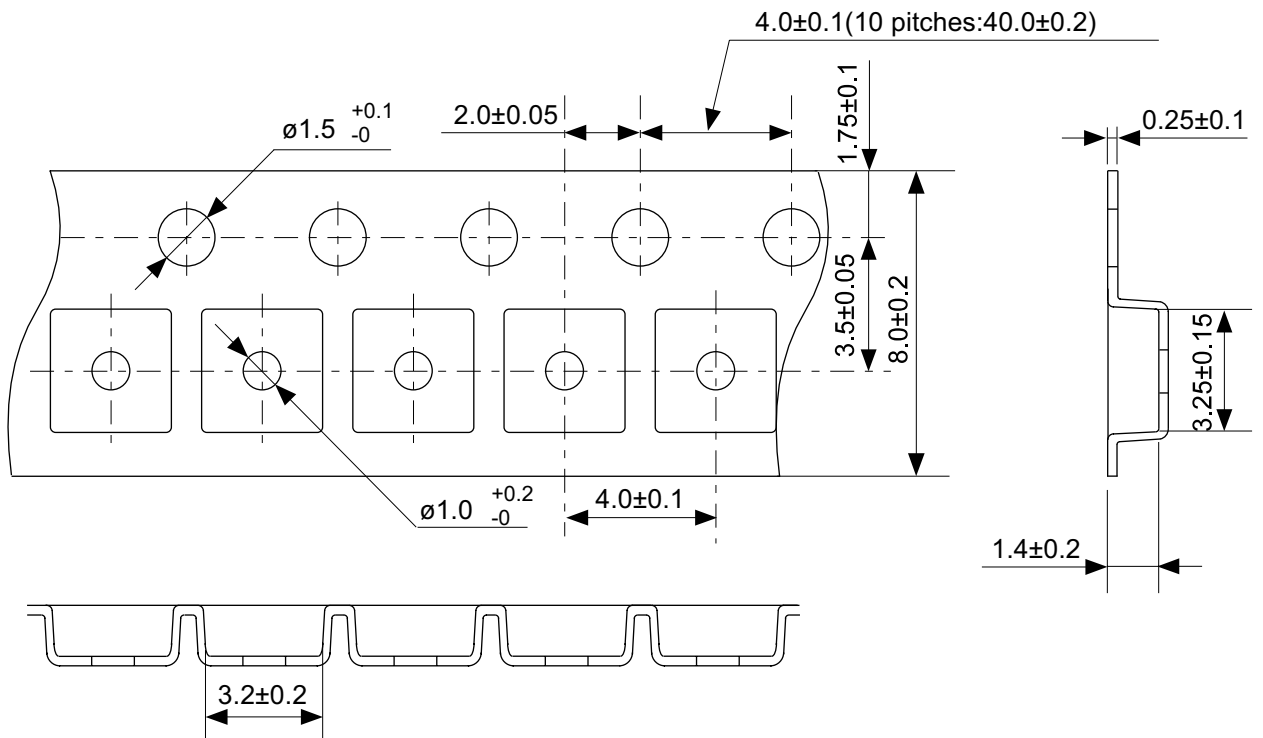
$V_{IN} = 6.0 \text{ V}$ ,  $C_{OUT} = 2.2 \mu\text{F}$ ,  $C_{IN} = 1.0 \mu\text{F}$





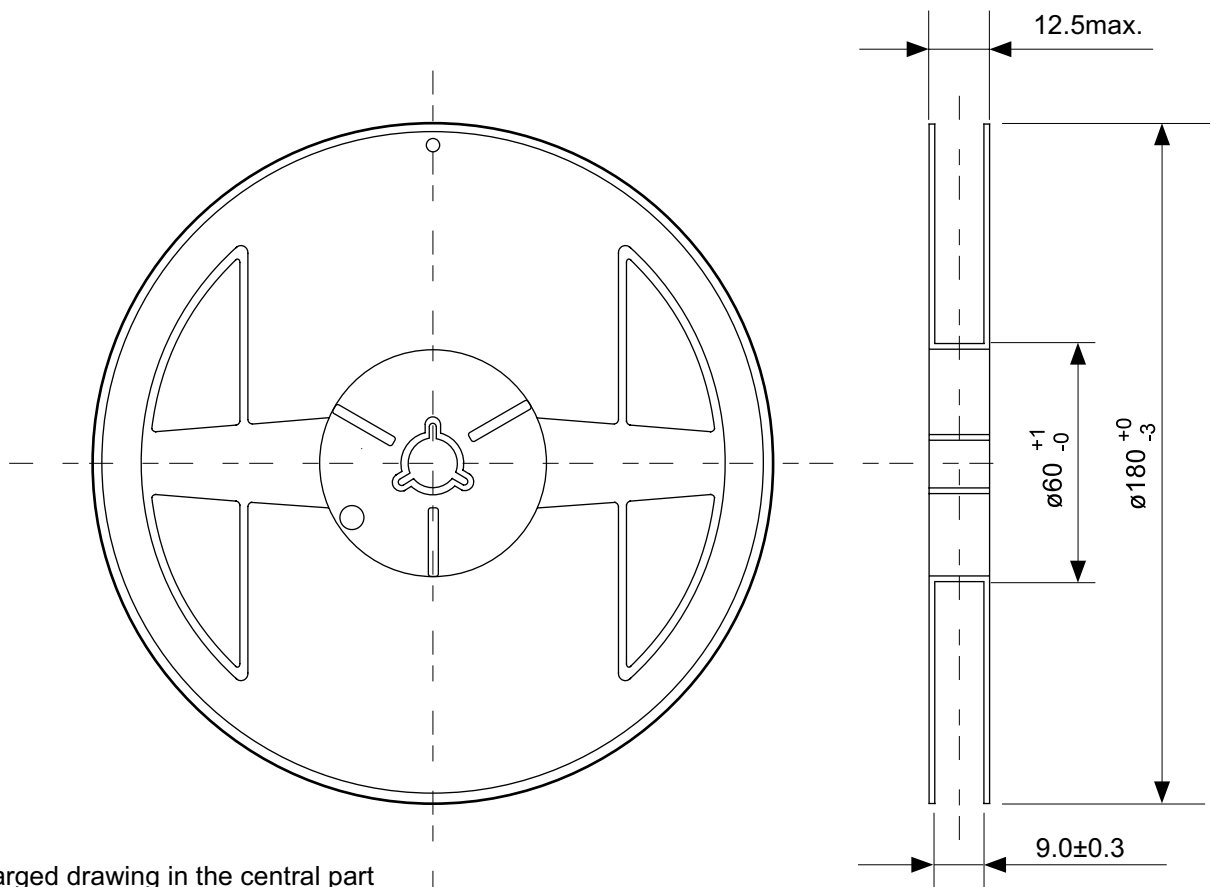
No. MP005-A-P-SD-1.2

TITLE	SOT235-A-PKG Dimensions
No.	MP005-A-P-SD-1.2
SCALE	
UNIT	mm
Seiko Instruments Inc.	

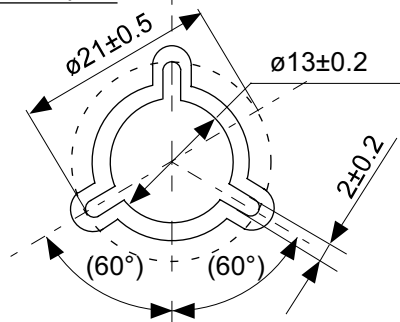


No. MP005-A-C-SD-2.1

TITLE	SOT235-A-Carrier Tape
No.	MP005-A-C-SD-2.1
SCALE	
UNIT	mm
Seiko Instruments Inc.	

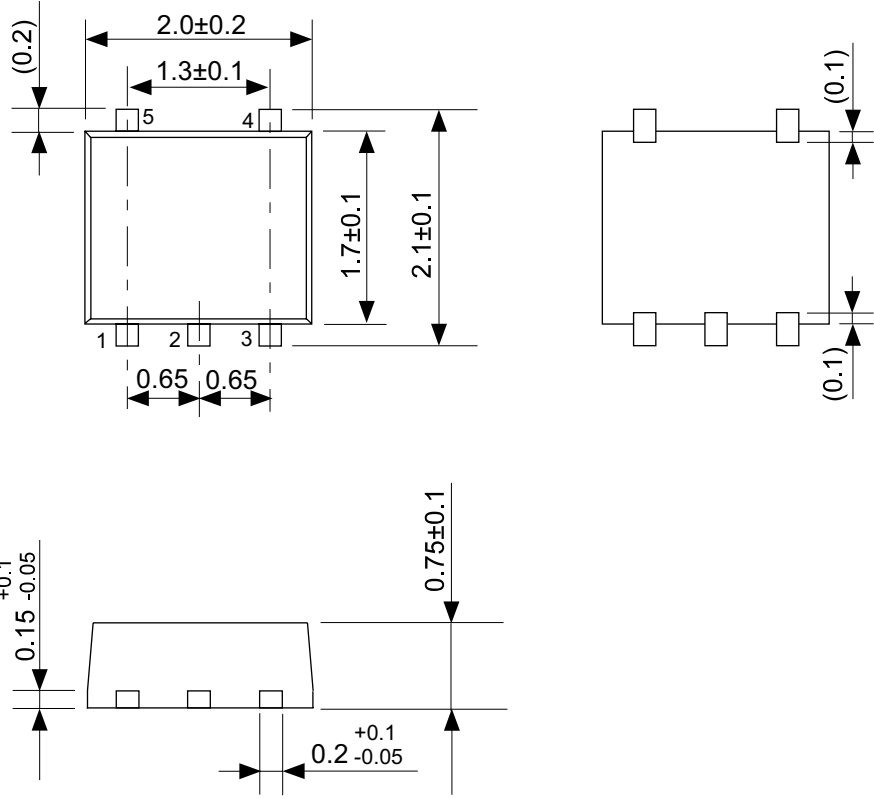


Enlarged drawing in the central part



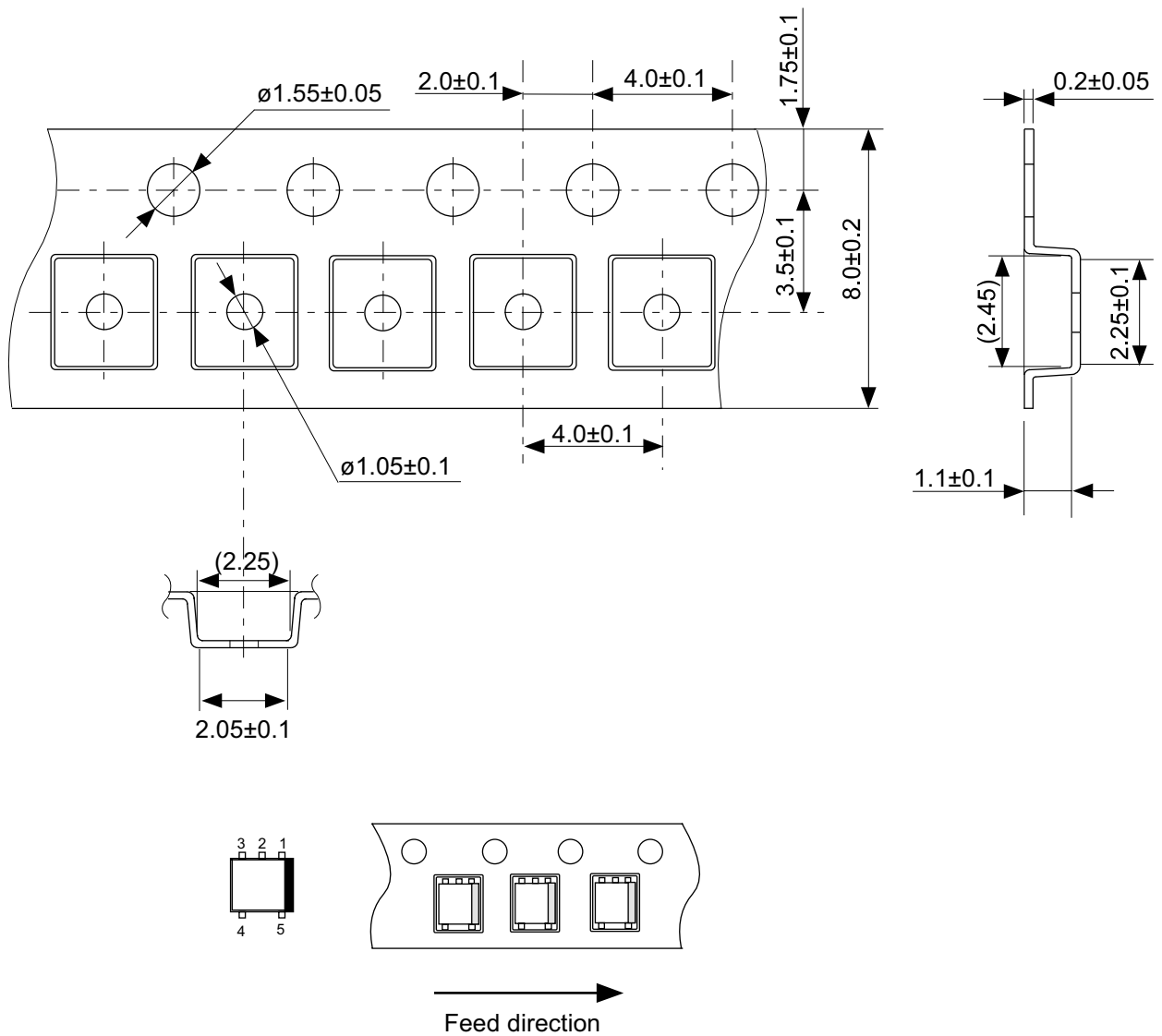
No. MP005-A-R-SD-1.1

TITLE	SOT235-A-Reel		
No.	MP005-A-R-SD-1.1		
SCALE		QTY.	3,000
UNIT	mm		
Seiko Instruments Inc.			



No. PN005-A-P-SD-1.1

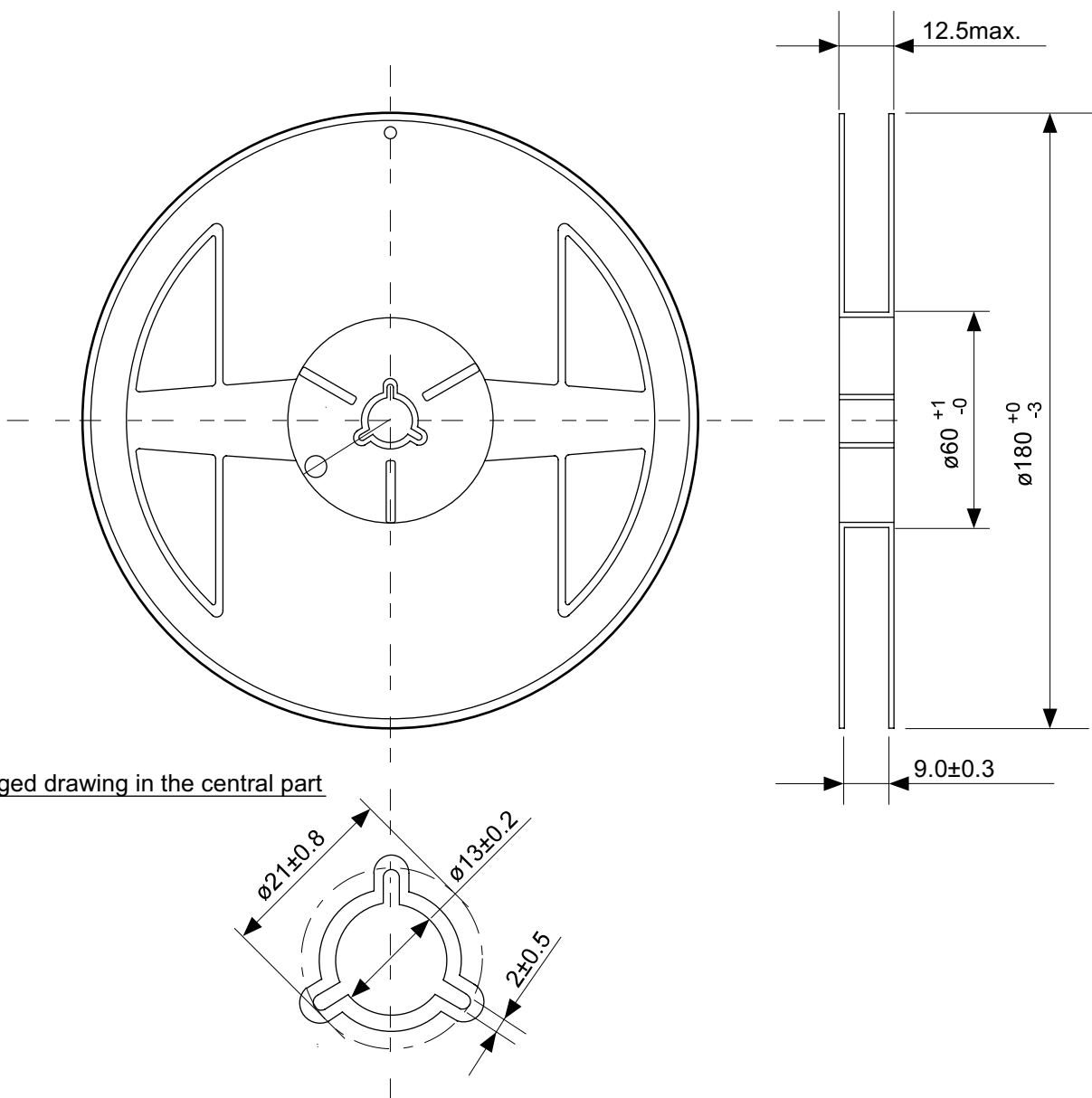
TITLE	SON5A-A-PKG Dimensions
No.	PN005-A-P-SD-1.1
SCALE	
UNIT	mm
Seiko Instruments Inc.	



No. PN005-A-C-SD-1.1

TITLE	SON5A-A-Carrier Tape
No.	PN005-A-C-SD-1.1
SCALE	
UNIT	mm
Seiko Instruments Inc.	





Enlarged drawing in the central part

No. PN005-A-R-SD-1.1

TITLE	SON5A-A-Reel		
No.	PN005-A-R-SD-1.1		
SCALE		QTY.	3000
UNIT	mm		
Seiko Instruments Inc.			

- The information described herein is subject to change without notice.
- Seiko Instruments Inc. is not responsible for any problems caused by circuits or diagrams described herein whose related industrial properties, patents, or other rights belong to third parties. The application circuit examples explain typical applications of the products, and do not guarantee the success of any specific mass-production design.
- When the products described herein are regulated products subject to the Wassenaar Arrangement or other agreements, they may not be exported without authorization from the appropriate governmental authority.
- Use of the information described herein for other purposes and/or reproduction or copying without the express permission of Seiko Instruments Inc. is strictly prohibited.
- The products described herein cannot be used as part of any device or equipment affecting the human body, such as exercise equipment, medical equipment, security systems, gas equipment, or any apparatus installed in airplanes and other vehicles, without prior written permission of Seiko Instruments Inc.
- Although Seiko Instruments Inc. exerts the greatest possible effort to ensure high quality and reliability, the failure or malfunction of semiconductor products may occur. The user of these products should therefore give thorough consideration to safety design, including redundancy, fire-prevention measures, and malfunction prevention, to prevent any accidents, fires, or community damage that may ensue.